

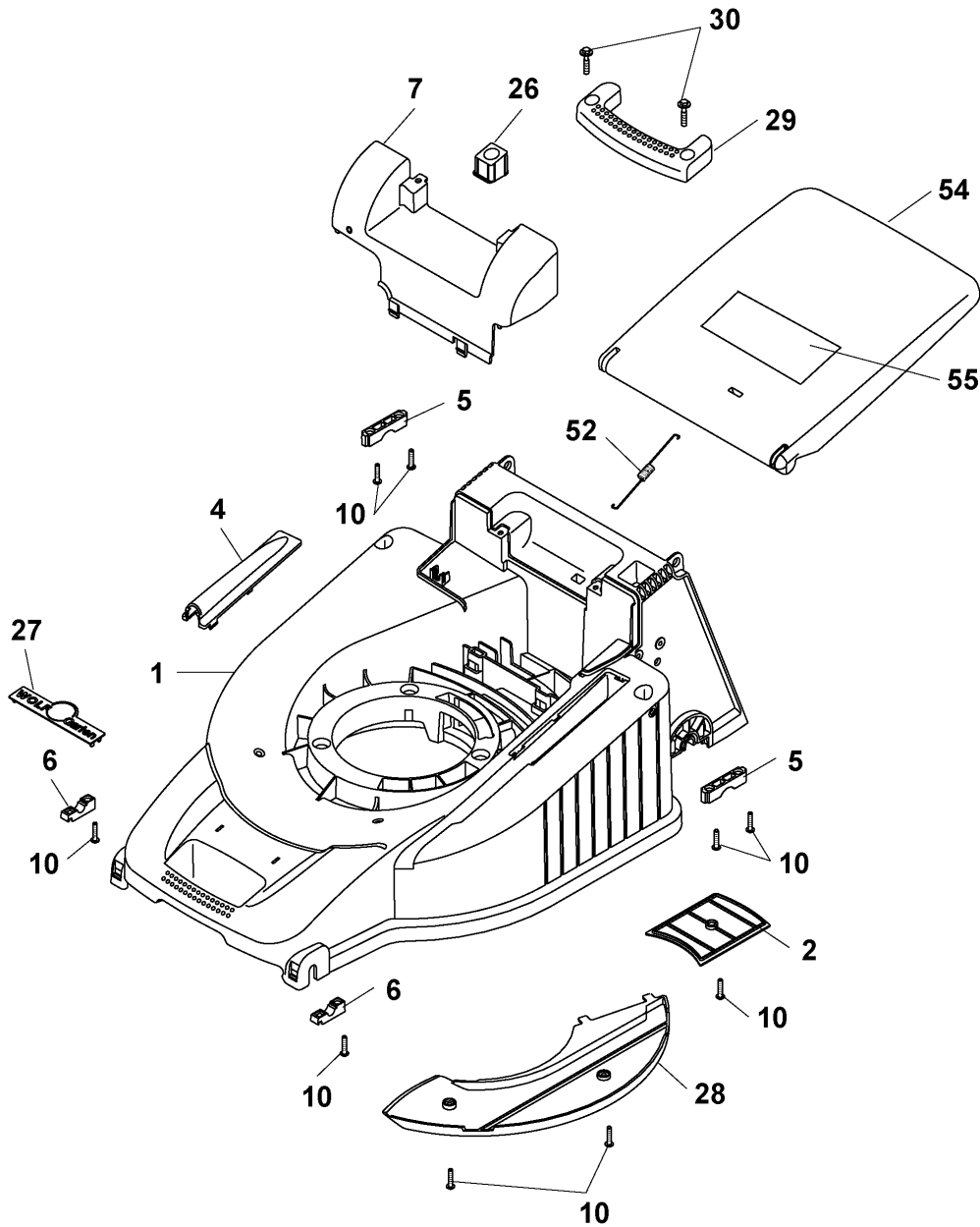
2.46 BS, Serie A / 2.46 BS, Series A

Ausstattung Benzinmäher / Equipment Petrol-mowers

| | |
|--|--|
| Typ / Kurzbez. / order code | 2.46 BS |
| Ausführung für / version for | International |
| Geräte - Nr. / article number | 4601004 |
| Schnittbreite / cutting width | 46 cm |
| Chassismaterial / chassis | Kunststoff / high-quality polymer |
| Gewicht / weight | 27 kg |
| Lautstärke / noise level | 96 dB (A) |
| Ø Rad vorne / front wheel diameter | 17 cm |
| Ø Rad hinten / rear wheel diameter | 20 cm |
| Ausführung Räder / version wheels | Soft, Kugellager / soft, ball bearing |
| Höhenverstellung / height adjustment | zentral 5-fach / central, five-fold |
| Schnitthöhe (cm) / cutting height | 2,5 cm - 7,2 cm |
| Antrieb / power drive | nein / no |
| Motor - Hersteller / motor producer | Briggs & Stratton |
| Motor-Modell / motor-type | Sprint 40 |
| Spezifikation / specification | 10D9020149B1 |
| Motor - Nr. WOLF / motor-number | 2079000 |
| Nennleistung / nominal capacity | 2,4 kW (3,3 PS) |
| Zündkerze / spark plug | Champion RN4C, Art.-Nr. / part no.: 2085300 |
| Griffgestänge / handlebar | Klappgriff, Holmstart / folding handlebar, bar start |
| Fangkorb / collector box | 56 L, Artikel-Nr. 4961065 / part no. 4961065 |
| <u>Drehmomente Chassis / torque settings, chassis fasteners:</u> | |
| Achsbefest. (Lagerschale vorne/hinten) / axle fastening (bearing shell front/rear) | 2-3 Nm |
| Radbefestigung / wheel fastening | 10 Nm |
| Führung Höhenverstellung / guide height-adjustment | 2-3 Nm |
| Windkanaleinlage - Chassis / wind tunnel insert - chassis | 2-3 Nm |
| Stehbolzen an Motor / stud bolt to motor | 16-20 Nm |
| Stehbolzen an Chassis / stud bolt to chassis | 12-14 Nm |
| Chassisabdeckung + Griff / chassis covering + handle | 2-3 Nm |
| Messerbalken an Motorwelle / cutter bar to motor shaft | 38-42 Nm |
| Keilriemenabdeckung / v-belt cover | 2-3 Nm |

D 2.46 BS 4601 004, Serie A, Chassis

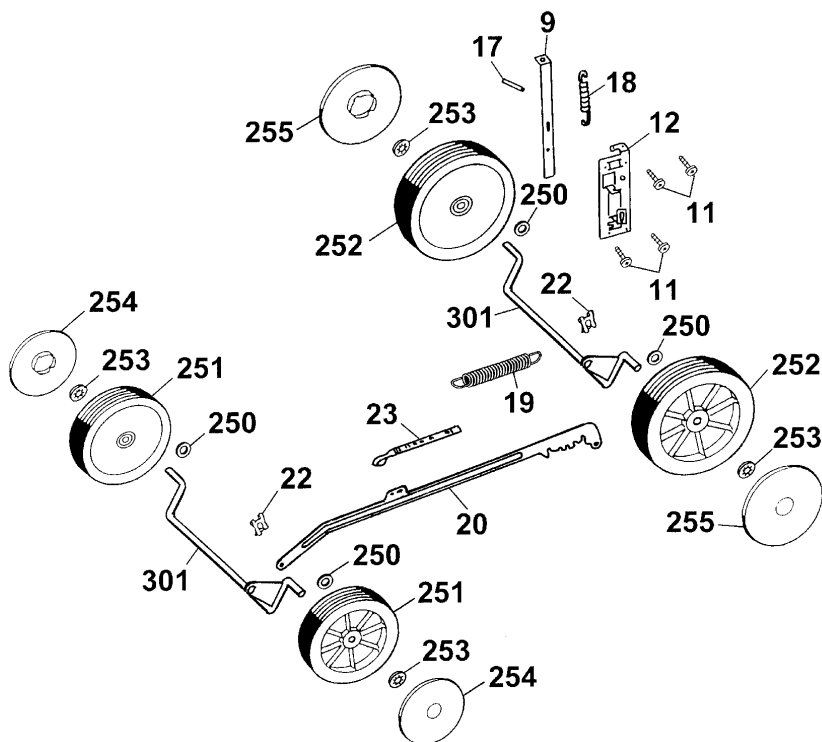
GB 2.46 BS 4601 004, Series A, Chassis



2.46 BS Chassis

| Bild-Nr. / Ref. No. | Best.-Nr. / Part No. | Bezeichnung | Description |
|------------------------|-------------------------|-------------------------------|-------------------------------|
| 1 | 4601 300 | Chassis | chassis |
| 2 | 4961 324 | Keilriemenabdeckung | v-belt cover |
| 4 | 4601 315 | Hutze | cover |
| 5 | 4961 313 | Stützschale, hinten (2 Stück) | rear support shell (2 piec.) |
| 6 | 4961 312 | Stützschale, vorn (2 Stück) | front support shell (2 piec.) |
| 7 | 4601 310 | Chassisabdeckung | chassis cover |
| 10 | 0012 631 | Schraube (9 Stück) | screw (9 pieces) |
| 26 | 4961 304 | Knopf | button |
| 27 | 0051 115 | WOLF-Garten Marke | WOLF-Garten brand |
| 28 | 4601 311 | Windkanalabdeckung | wind tunnel cover |
| 29 | 4601 303 | Tragegriff, hinten | rear carrying handle |
| 30 | 0012 639 | Schraube (2 Stück) | screw (2 pieces) |
| 52 | 4961 108 | Zugfeder | tension spring |
| 54 | 4620 302 | Schutzklappe (gelb) | rear flap (yellow) |
| 55 | 0051 246 | Sicherheitsetik., Pictogramm | safety label |

- Ⓓ 2.46 BS 4601 004, Serie A, Achse, Räder, Höhenverstellung
- ⒼⒷ 2.46 BS 4601 004, Series A, Axle, Wheels, Height-adjustment



2.46 BS Achse, RÄder, Hhenverstellung
2.46 BS Axle, Wheels, Height-adjustment

| Bild-Nr. / Ref. No. | Best.-Nr. / Part No. | Bezeichnung | Description |
|--------------------------------|---------------------------------|---|---|
| 9 | 4961 512 | Rasthebel | lock lever |
| 11 | 0010 931 | Schraube (4 Stck) | screw (4 pieces) |
| 12 | 4001 110 | Fhrung | guiding |
| 17 | 0018 878 | Spannstift | dowel pin |
| 18 | 4961 514 | Zugfeder | tension spring |
| 19 | 4961 107 | Zugfeder Verbindungs- stange | tension spring connecting rod |
| 20 | 4601 020 | Verbindungsstange | connecting rod |
| 22 | 0020 981 | SL-Sicherung (2 Stck) | retaining clip (2 pieces) |
| 23 | 4601 306 | Hhenanzeiger | height-position indicator |
| 250 | 0017 112 | Scheibe (4 Stck) | washer (4 pieces) |
| 251 | 6340 050 | Rad 170 mm Ø (2 Stck) | wheel 170 mm dia. (2 piec.) |
| 252 | 6340 051 | Rad 200 mm Ø (2 Stck) | wheel 200 mm dia. (2 piec.) |
| *** | 4960 516 | Kugellager, Kunststoff (2 Stck / Rad) | ball bearing, plastic (2 pieces / wheel) |
| 253 | 0020 700 | Schnellbefestiger (4 Stck) | quick-fixing device (4 piec.) |
| 254 | 6450 520 | Radkappe 170 mm Ø (2 St.) | hub cap 170 mm dia. (2 p.) |
| 255 | 6450 530 | Radkappe 200 mm Ø (2 St.) | hub cap 200 mm dia. (2 p.) |
| 301 | 4961 011 | Achse (2 Stck) | axle (2 pieces) |

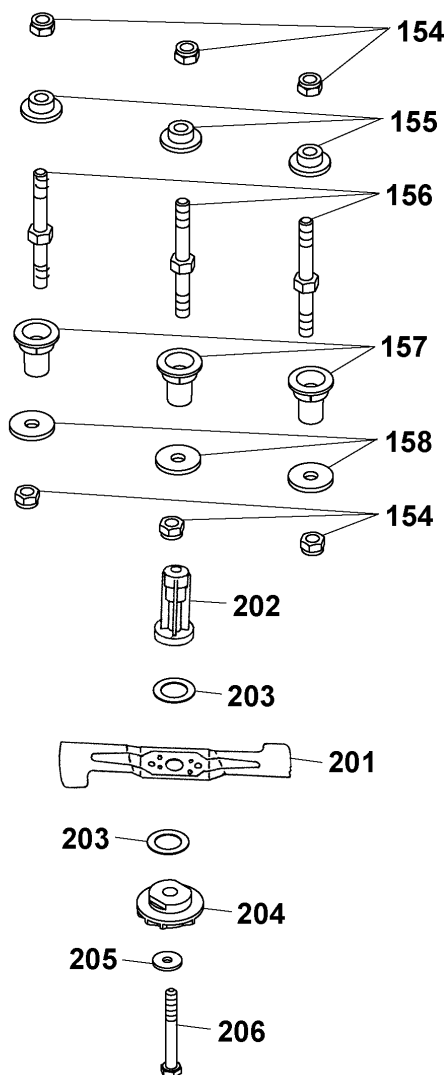
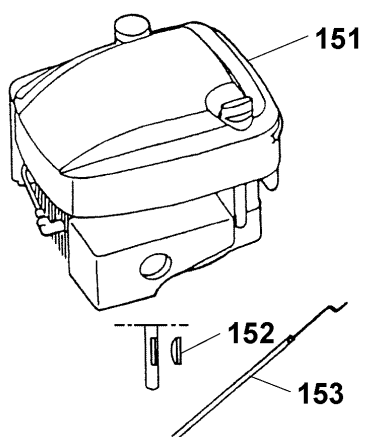
2.46 BS Griff kpl.

2.46 BS Handlebar compl.

| Bild-Nr. / Ref. No. | Best.-Nr. / Part No. | Bezeichnung | Description |
|--------------------------------|---------------------------------|-------------------------------------|---------------------------------|
| 132 | 6340 312 | Klammer (2 Stück) | clamp (2 pieces) |
| 133 | 6340 314 | Schlaufe (2 Stück) | strap (2 pieces) |
| 351 | 4601 122 | Griffunterteil | lower handlebar |
| 362 | 4901 101 | Verbindungsschr. (4 St.) | binding screw (4 piec.) |
| 364 | 0016 717 | Flügelmutter (4 Stück) | wing nut (2 pieces) |
| 366 | 6340 014 | Seilführung | routing |
| 401 | 4001 031 | Griffoberteil | upper handlebar |
| 402 | 4001 057 | Schaltgehäuse mit Bowdenzug, Gas | case with bowden wire, brake |
| 404 | 4001 013 | Bremshebel | brake lever |
| 405 | 4720 105 | Schelle (2 Stück) | clamp (2 pieces) |
| 406 | 4760 106 | Stütze | support |
| 407 | 4720 109 | Bolzen (2 Stück) | bolt (2 pieces) |
| 408 | 0012 211 | Zylinderschraube (2 Stück) | screw (2 pieces) |
| 410 | 0016 641 | Hutmutter (2 Stück) | nut (2 pieces) |
| 411 | 4240 205 | Distanzscheibe | washer |
| 412 | 0012 886 | PT-Schraube (2 Stück) | screw (2 pieces) |
| 413 | 4001 125 | Rohrstück links | handlebar holder, left |
| 414 | 4001 127 | Rohrstück rechts | handlebar holder, right |
| 415 | 0015 660 | Blech-Schraube (2 Stück) | sheet metal screw |
| *** | 0054 340 | Gebrauchsanweisung | operator manual |

D 2.46 BS 4601 004, Serie A, Motor, Messer

GB 2.46 BS 4601 004, Series A, Motor, Blade



2.46 BS Motor, Messer

2.46 BS Motor, Blade

| Bild-Nr. / Ref. No. | Best.-Nr. / Part No. | Bezeichnung | Description |
|--------------------------------|---------------------------------|--------------------------|--------------------------|
| 151 | 2079 000 | Motor | motor |
| 152 | 0029 130 | Scheibenfeder | woodruff key |
| 153 | 4005 058 | Bowdenzug, Bremse | bowden wire, brake |
| 154 | 0016 312 | 6kt.-Mutter (6 Stück) | hex. nut (6 pieces) |
| 155 | 4001 172 | Motorbuchse (3 Stück) | motor bush (3 pieces) |
| 156 | 4001 170 | Stehbolzen (3 Stück) | stud bolt (3 pieces) |
| 157 | 4601 312 | Distanzhülse (3 Stück) | spacer (3 pieces) |
| 158 | 0017 111 | Scheibe (3 Stück) | washer (3 pieces) |
| 201 | 4601 095 | Messer VI 46 | blade VI 46 |
| 202 | 4601 402 | Kupplungsbuchse | coupling |
| 203 | 4005 403 | Kupplungsbelag (2 Stück) | clutch facing (2 pieces) |
| 204 | 4840 402 | Kupplungsscheibe | coupling disc |
| 205 | 0017 105 | Spannscheibe | strain washer |
| 206 | 0010 264 | 6kt.-Schraube | hex. screw |

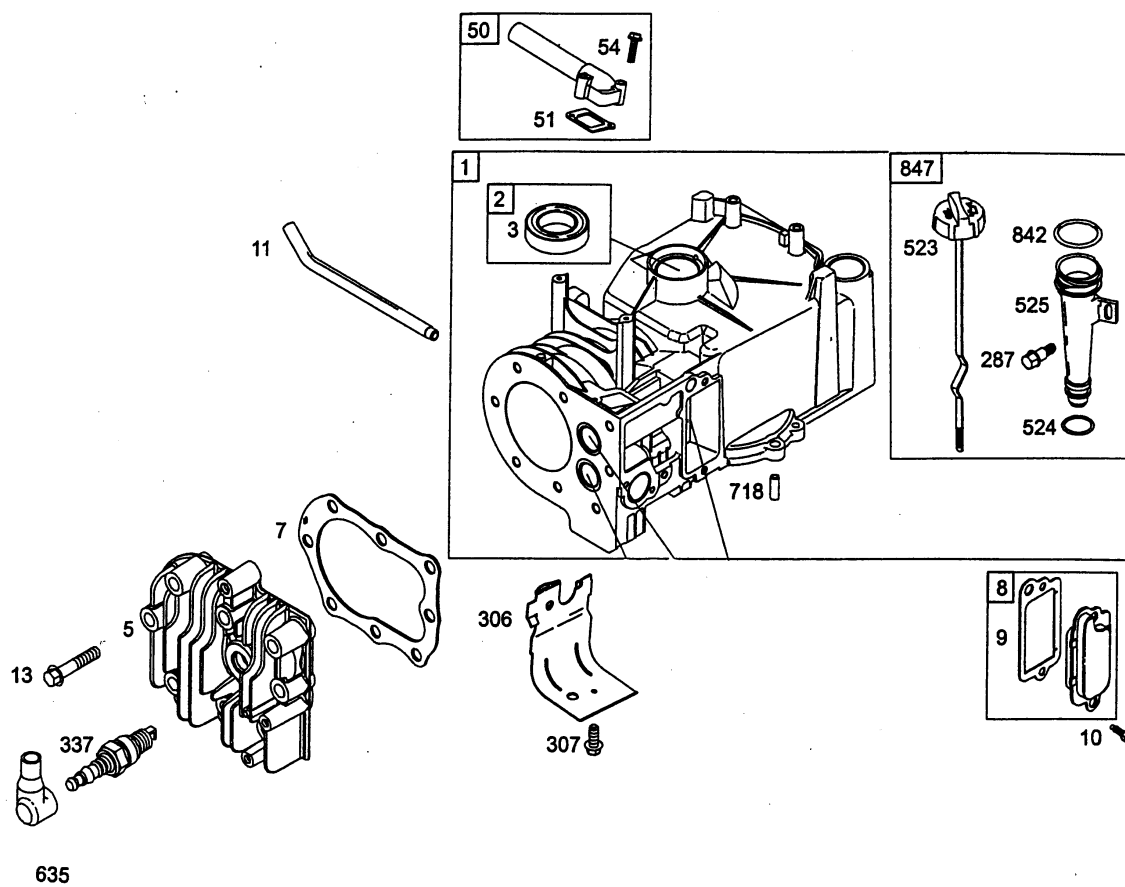
D Fangkorb komplett 4961 065

GB Grass box compl. 4961 065



| Bild-Nr. / Ref. No. | Best.-Nr. / Part No. | Bezeichnung | Description |
|------------------------|-------------------------|--------------------|----------------------|
| 10 | 0012 631 | Schraube (2 Stück) | screw (2 pieces) |
| 500 | 4961 311 | Fangkorbunterteil | grass box under part |
| 501 | 4906 315 | Verschlussdeckel | cap |
| 503 | 4961 061 | Fangkorboberteil | grass box upper part |

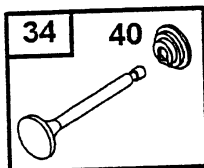
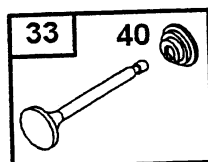
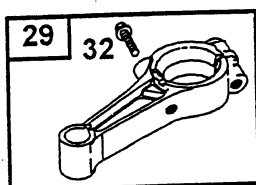
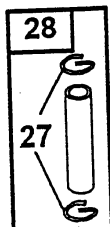
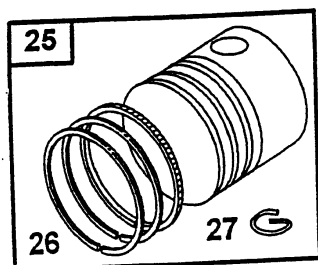
Quattro 40 Kurbelgeh  use
Quattro 40 cylinder assembly



Quattro 40 KurbelgehÄuse
Quattro 40 Cylinder assembly

| Bild-Nr. / Ref. No. | Best.-Nr. / Part No. | Bezeichnung | Description | Part No. B & S |
|--------------------------------|---------------------------------|----------------------|------------------------|-------------------------------|
| 1 | 2007 100 | Zylinder | cylinder assembly | 399164 |
| 2 | 2059 102 | Rep.-Satz | kit-bushing/seal | 399269 |
| 3 | 2057 352 | Simmering-oben | seal-oil | 299819 |
| 5 | 2056 164 | Zylinderkopf | head-cylinder | 690386 |
| 7 | 2056 159 | Zylinderkopfdichtung | gasket-cylinder head | 692288 |
| 8 | 2056 166 | EntlÄfterventil kpl. | breather assembly | 495785 |
| 9 | 1034 301 | Dichtung-EntlÄfter | gasket-breather | 272602 |
| 10 | 1034 302 | Schraube | screw | 691666 |
| 11 | 2056 167 | Leitung | tube-breather | 691245 |
| 13 | 2062 501 | Schraube | screw | 691640 |
| 50 | 1034 227 | Ansaugrohr-Eingang | manifold-intake | 693446 |
| 51 | 1034 222 | Eingangsdichtung | gasket-intake | 270345 |
| 54 | 2056 168 | Schraube | screw | 691111 |
| 287 | 2006 304 | Schraube | screw | 691002 |
| 306 | 2056 170 | Leitblech | shield-cylinder | 690400 |
| 307 | 2063 120 | Schraube | screw | 690345 |
| 337 | 2085 300 | ZÄndkerze | plug-spark | 992041 |
| 523 | 2056 173 | Ölmesstab | dipstick | 692040 |
| 524 | 2007 205 | O-Ring Ölrrohr | seal-deapstick tube | 691876 |
| 525 | 2003 203 | ÖleinfÄllrohr | tube-dipstick | 691320 |
| 635 | 1034 435 | ZÄndkerzenstecker | boot-spark plug | 66538 |
| 718 | 2057 117 | Paßstift | pin-locating | 690959 |
| 842 | 2056 160 | O-Ring Meßstab | o-ring seal | 691870 |
| 847 | 2056 176 | ÖleinfÄllrohr kpl. | dipstick/tube assembly | 691440 |

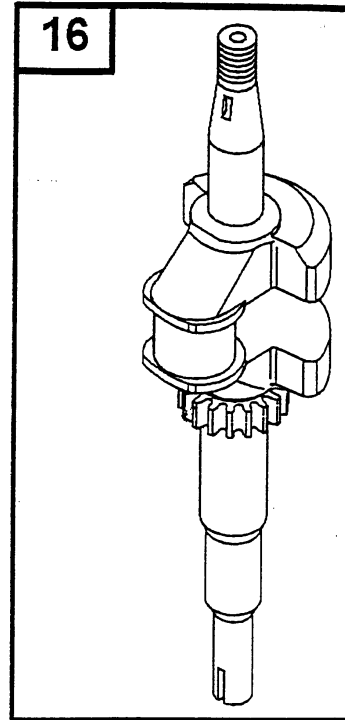
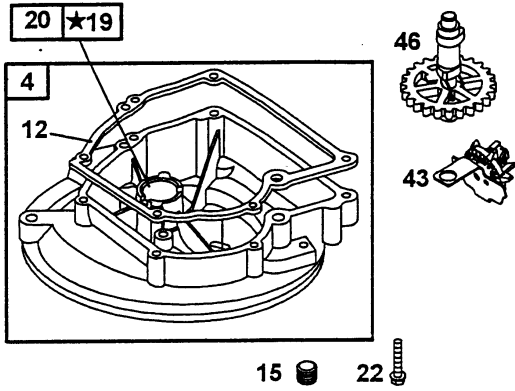
Quattro 40 Kolben, Pleuel, Ventile
Quattro 40 piston, connecting rod, valve



Quattro 40 Kolben, Pleuel, Ventile
Quattro 40 Piston, Connecting rod, Valves

| Bild-Nr. / Ref. No. | Best.-Nr. / Part No. | Bezeichnung | description | Part No. B & S |
|--------------------------------|---------------------------------|--------------------|------------------------|-------------------------------|
| 25 | 2056 161 | Kolben | piston assembly | 498668 |
| 26 | 2056 057 | Kolbenringsatz | ring set | 498680 |
| 27 | 1034 113 | Sicherung | lock-piston pin | 26026 |
| 28 | 1034 114 | Kolben-Bolzen kpl. | pin-piston (standard) | 298909 |
| 29 | 2056 163 | Pleuel | rod-connecting | 496792 |
| 32 | 2059 115 | Schraube | screw | 691664 |
| 33 | 1034 213 | Ventil-Auslaß | valve-exhaust | 296676 |
| 34 | 1034 214 | Ventil-Einlaß | valve-intake | 296677 |
| 35 | 1034 215 | Feder-Einlaß | spring-valve (intake) | 690520 |
| 36 | 1034 215 | Feder-Auslaß | spring-valve (exhaust) | 690520 |
| 40 | 1034 217 | Ventilteller | retainer-valve | 692194 |
| 45 | 1034 218 | Ventilstoelßel | tappet-valve | 230173 |

Quattro 40 Kurbelwelle,  lwanne
Quattro 40 crankshaft, sump bases



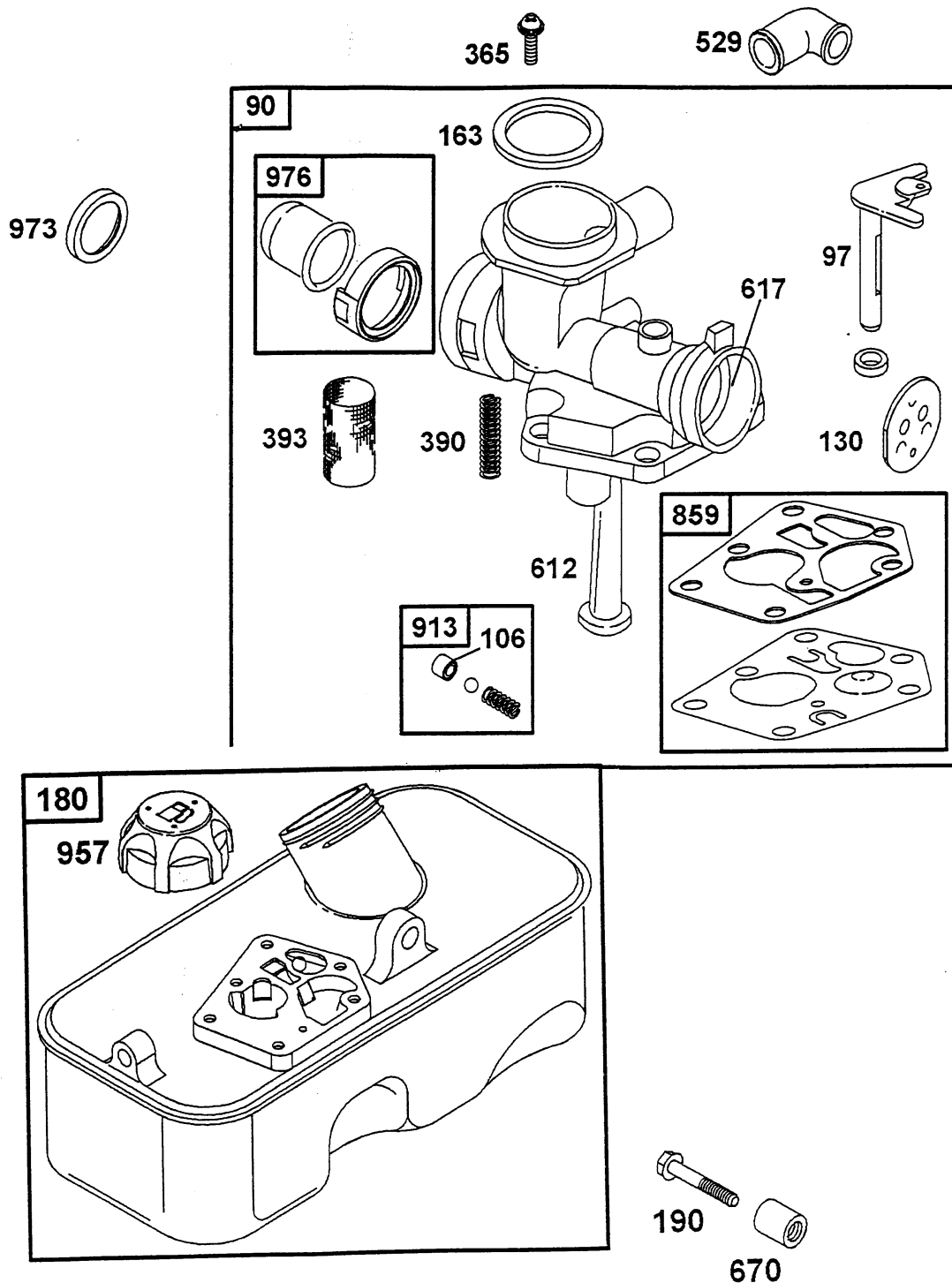
377

Quattro 40 Kurbelwelle, Ölwanne
Quattro 40 Crankshaft, Sump bases

| Bild-Nr. / Ref. No. | Best-Nr. / Part No. | Bezeichnung | Description | Part No. B & S |
|--------------------------------|--------------------------------|--------------------|----------------------|-------------------------------|
| 4 | 2056 133 | Ölwanne | sump-engine | 395384 |
| 12 | 1007 201 | Dichtung | gasket-crankcase | 692218 |
| 15 | 2058 204 | Ölablaßschraube | plug-oil drain | 691680 |
| 16 | 2056 190 | Kurbelwelle | crankshaft | 691471 |
| 19 | 1034 205 | Rep.-Buchse | kit bushing/seal | 293709 |
| 20 | 2056 304 | Wellendichtring | seal-oil | 391483 |
| 22 | 2056 134 | Schraube | screw | 691662 |
| 24 | 2057 130 | Schwungradkeil | key-flywheel | 222698 |
| 43 | 2056 135 | Regler | slinger-governor/oil | 691983 |
| 46 | 2056 136 | Nockenwelle | camshaft | 691998 |
| 377 | 0029 055 | Kurbelwellenkeil | key | 692193 |

NR:4601 004 Bezeichnung: 2.46 BS Gruppe: Benzinm  her Jahr: 03 Typ: A

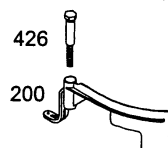
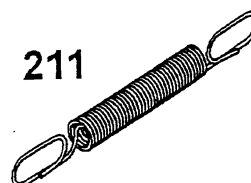
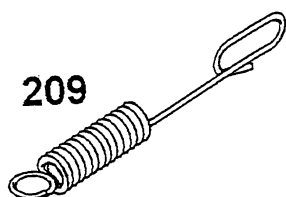
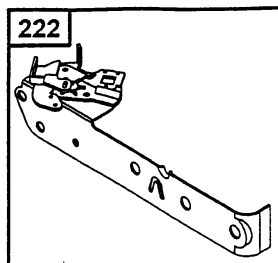
Quattro 40 Vergaser, Tank
Quattro 40 carburetor, fuel tank



Quattro 40 Vergaser, Tank
Quattro 40 Carburetor, Fuel tank

| Bild-Nr. / Ref. No. | Best.-Nr. / Part No. | Bezeichnung | Description | Part No. B & S |
|--------------------------------|---------------------------------|-----------------------|--------------------|-------------------------------|
| 90 | 2056 056 | Vergaser kpl. | carburetor | 498811 |
| 97 | 2056 145 | Welle | shaft-trottle | 691931 |
| 106 | 2056 146 | Dichtung | inlet seat | 691901 |
| 130 | 2056 147 | Drosselklappe | valve-throttle | 691190 |
| 163 | 2056 148 | Dichtung-Luftfilter | gasket-air cleaner | 271139S |
| 180 | 2056 055 | Tank kpl. | fuel-tank | 494406 |
| 190 | 2062 501 | Schraube | screw | 691697 |
| 365 | 2056 149 | Schraube | screw | 692200 |
| 390 | 2056 150 | Feder | spring-diaphragm | 691839 |
| 393 | 2056 151 | Sieb | screen-carburetor | 691837 |
| 529 | 2056 152 | Kniestück | grommet | 692189 |
| 612 | 2056 154 | Rohr | tube-pickup | 496046S |
| 617 | 2056 155 | Dichtung | seal o-ring | 270344S |
| 670 | 2067 501 | Hülse | spacer-fuel tank | 94047 |
| 859 | 2056 417 | Membrane mit Dichtung | membrane w. seal | 495770 |
| 913 | 2056 156 | Ventilsitz | seat-check valve | 494409 |
| 957 | 2056 144 | Tankdeckel | cap-fuel tank | 497929 |
| 973 | 2056 157 | O-Ring | ring-trim | 691347 |
| 976 | 2056 158 | Primer kpl. | primer-carburetor | 494408 |

Quattro 40 Regelung
Quattro 40 controls electrical

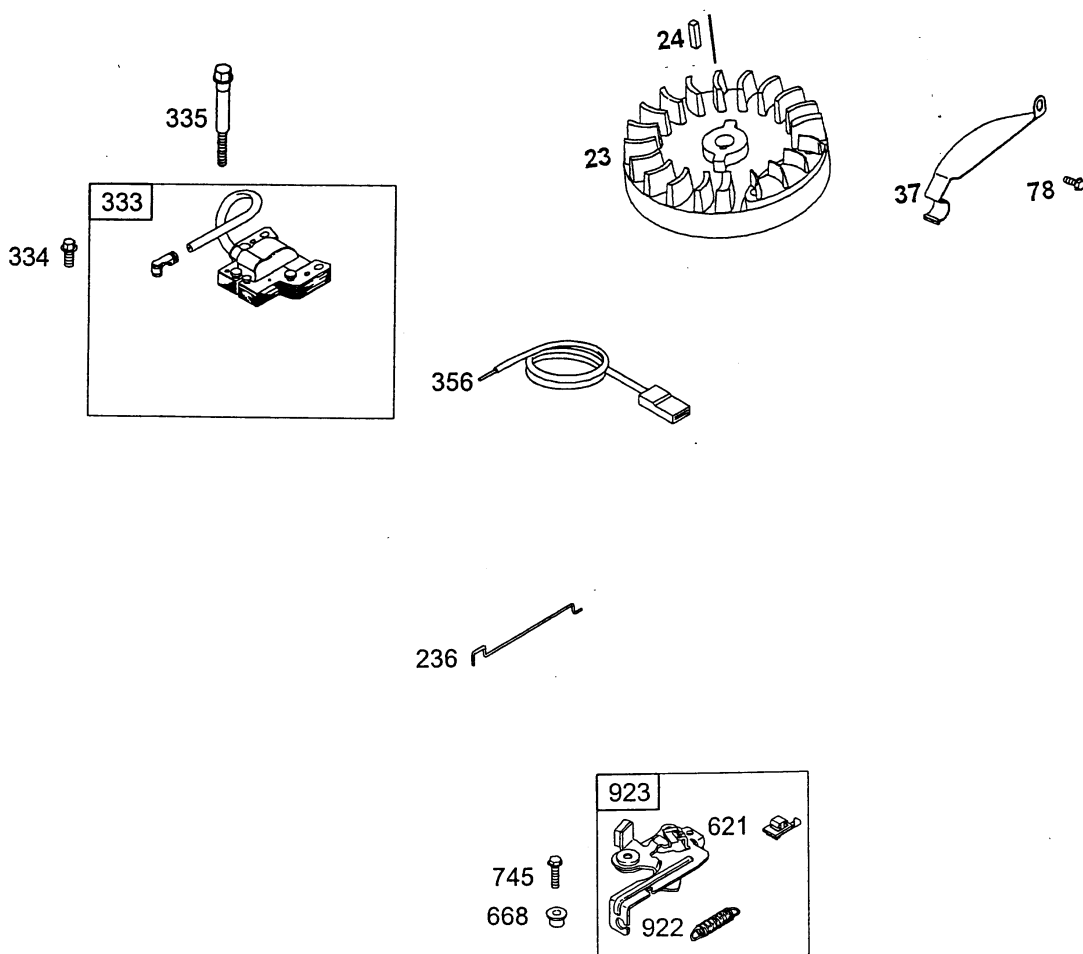


B14

Quattro 40 Regelung
Quattro 40 Controls electrical

| Bild-Nr. / Ref. No. | Best.-Nr. / Part No. | Bezeichnung | Description | Part No. B & S |
|--------------------------------|---------------------------------|--------------------|--------------------|-------------------------------|
| 188 | 2063 314 | Schraube | hexagon screw | 690297 |
| 200 | 2056 169 | Windfahne | blade-governor | 691912 |
| 201 | 2056 131 | GestÄnge | link-governor | 690347 |
| 209 | 2056 138 | Vollgasfeder | spring governor | 690254 |
| 211 | 2056 139 | Leerlauffeder | spring governor | 691859 |
| 222 | 2056 132 | Reglerplatte | bracket-control | 691445 |
| 265 | 2063 312 | Schelle | clamp-casing | 690798 |
| 267 | 2063 313 | Schraube | screw | 691044 |
| 426 | 2056 172 | Schraube | screw | 691107 |

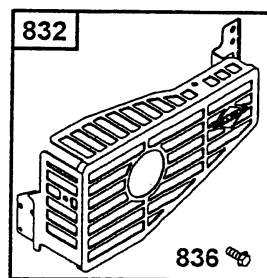
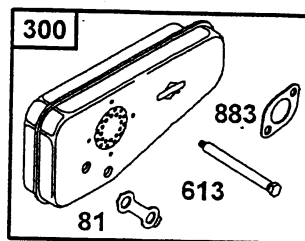
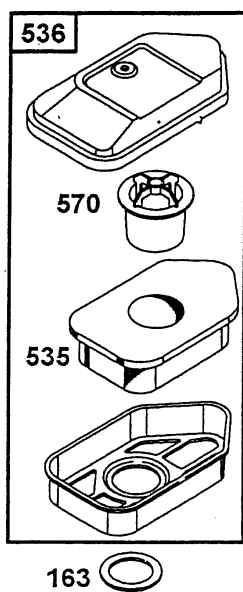
Quattro 40 Polrad, Zündspule, Bremse
Quattro 40 flywheel, electrical, brake



Quattro 40 Polrad, Z ndspule, Bremse
Quattro 40 Flywheel, Electrical, Brake

| Bild-Nr. / Ref. No. | Best.-Nr. / Part No. | Bezeichnung | Description | Part No. B & S |
|--------------------------------|---------------------------------|--------------------|--------------------|-------------------------------|
| 23 | 2056 184 | Schwungrad | fleywheel | 692009 |
| 24 | 2057 130 | Schwungradkeil | key-fleywheel | 222698 |
| 37 | 2056 178 | Schutzblech | guard-fleywheel | 690482 |
| 78 | 2063 314 | Schraube | screw | 690297 |
| 236 | 2059 312 | Gest nge | link-lockout | 691826 |
| 333 | 2003 051 | Z ndspule | armature-magneto | 496914 |
| 334 | 2003 103 | Schraube | screw | 691061 |
| 335 | 2003 104 | Schraube | screw | 691107 |
| 356 | 2057 183 | Kurzschlu kabel | wire-stop | 692390 |
| 621 | 2063 131 | Stopschalter | switch-stop | 692310 |
| 668 | 2063 221 | H lse | spacer | 692889 |
| 745 | 2056 140 | Schraube | screw | 691146 |
| 922 | 2056 141 | Feder | spring-brake | 692135 |
| 923 | 2056 142 | Bremse | brake | 691487 |

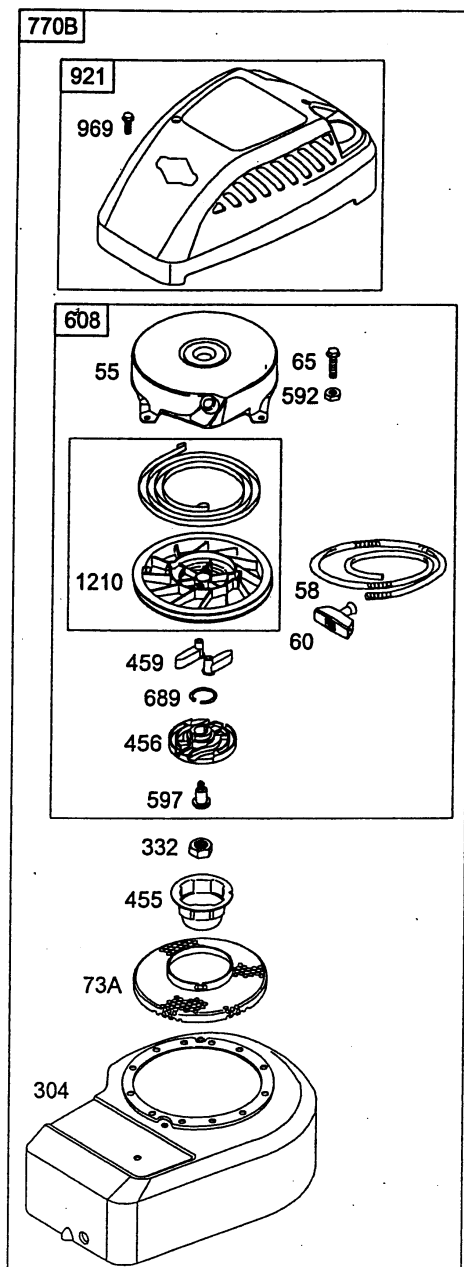
Quattro 40 Luftfilter, SchalldÄmpfer
Quattro 40 air cleaner, muffler



Quattro 40 Luftfilter, SchalldÄmpfer
Quattro 40 Air cleaner, Muffler

| Bild-Nr. / Ref. No. | Best.-Nr. / Part No. | Bezeichnung | Description | Part No. B & S |
|--------------------------------|---------------------------------|---------------------|-------------------------|-------------------------------|
| 81 | 2056 119 | Sicherung | lock muffler screw | 691179 |
| 163 | 1007 503 | Dichtung-Luftfilter | gasket-air cleaner | 271139 |
| 300 | 2056 309 | SchalldÄmpfer | Muffler | 394644 |
| 534 | 2002 408 | Schraube | screw (air-cleaner) | 691417 |
| 535 | 2056 305 | Luftfiltereinsatz | filter-air cleaner foam | 272235 |
| 536 | 2056 301 | Luftfilter kpl. | cleaner-air compl. | 493492 |
| 570 | 2056 306 | Lagerdeckel | support-foam element | 691911 |
| 613 | 2007 206 | Schraube | screw | 93935 |
| 832 | 2056 118 | BerÄhrungsschutz | guard | 494896 |
| 836 | 2057 108 | Schraube | screw | 94874 |
| 883 | 2056 310 | Dichtung-Auspuff | gasket-muffler | 272252 |

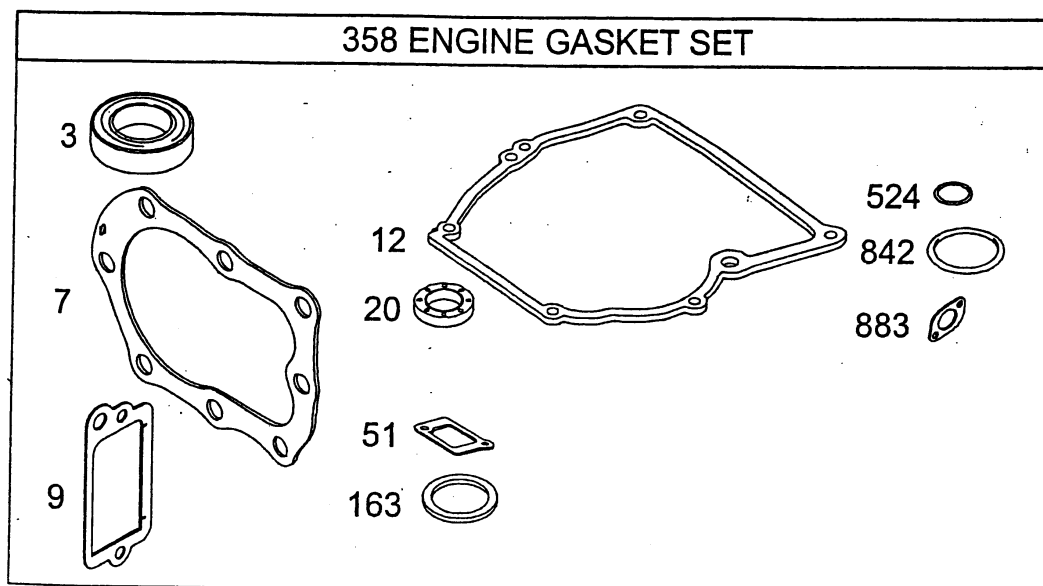
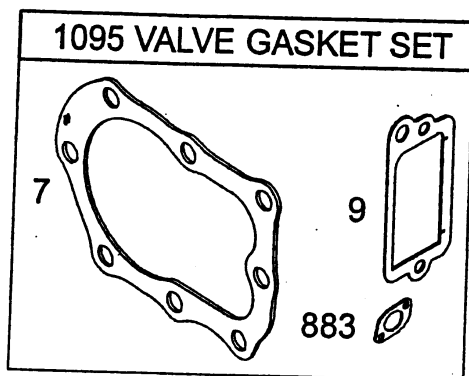
Quattro 40 Abdeckung, Starter
Quattro 40 covers, blower housing



Quattro 40 Abdeckung, Starter
Quattro 40 Cover, Blower housing

| Bild-Nr. / Ref. No. | Best.-Nr. / Part No. | Bezeichnung | Description | Part No. B & S |
|--------------------------------|---------------------------------|--------------------------|---------------------|-------------------------------|
| 55 | 2056 121 | StartergehÄuse | housing-rewind | 692144 |
| 58 | 2056 122 | Starterseil | rope-starter | 692259 |
| 60 | 2056 123 | Handgriff | grip-starter rope | 691915 |
| 65 | 1001 158 | Schraube | screw | 690837 |
| 73A | 2056 300 | Fingerschutz | screen-rotating | 691235 |
| 304 | 2056 311 | Lüfterhaube | housing-blower | 691484 |
| 332 | 2056 312 | Mutter | nut | 690662 |
| 455 | 2056 303 | Starterglocke | cup-flywheel | 691236 |
| 456 | 2056 313 | Klinkenscheibe | plate-pawl friction | 692299 |
| 459 | 2069 302 | Starterklinke | pawl-racet | 281505 |
| 592 | 1001 156 | Mutter | nut | 690800 |
| 597 | 1034 438 | Schraube | screw | 691696 |
| 608 | 2056 125 | Starter kpl. | starter-rewind | 499706 |
| 689 | 2056 185 | Sicherung | spring-friction | 691855 |
| 770B | 2056 058 | Lüfterhaube-Starter kpl. | kit-rewind/blower | 497616 |
| 921 | 2056 188 | Abdeckung | cover-blower | 694044 |
| 969 | 2056 189 | Schraube | screw | 692198 |
| 1210 | 2056 127 | Seilscheibe kpl. | pulley-starter | 499901 |

Quattro 40 Dichtungssatz
Quattro 40 gasket set



Quattro 40 Dichtungssatz
Quattro 40 Gasket set

| Bild-Nr. / Ref. No. | Best.-Nr. / Part. No. | Bezeichnung | Description | Part No. B & S |
|------------------------|--------------------------|--------------------------|----------------------|-------------------|
| 3 | 2057 352 | Simmering-oben | seal-oil | 299819 |
| 7 | 2056 159 | Zylinderkopfdichtung | gasket-cylinder head | 692288 |
| 9 | 1034 301 | Dichtung-Entlüfter | gasket breather | 272602 |
| 12 | 1007 201 | Dichtung-Ölwanne | gasket-crankcase | 692218 |
| 20 | 1007 203 | Simmering-unten | seal-oil | 391483 |
| 51 | 1034 222 | Dichtung-Eingang | gasket-intake | 270345 |
| 163 | 1007 503 | Dichtung-Luftfilter | gasket-air cleaner | 271139 |
| 358 | 1034 050 | Dichtungssatz Motor kpl. | engine gasket-set | 298989 |
| 524 | 2007 205 | O-Ring-Ölrohr | seal-dipstick tube | 691876 |
| 842 | 2056 160 | O-Ring-Meßstab | o-ring seal | 691870 |
| 1095 | 2056 117 | Dichtungssatz | valve gasket-set | 498526 |