

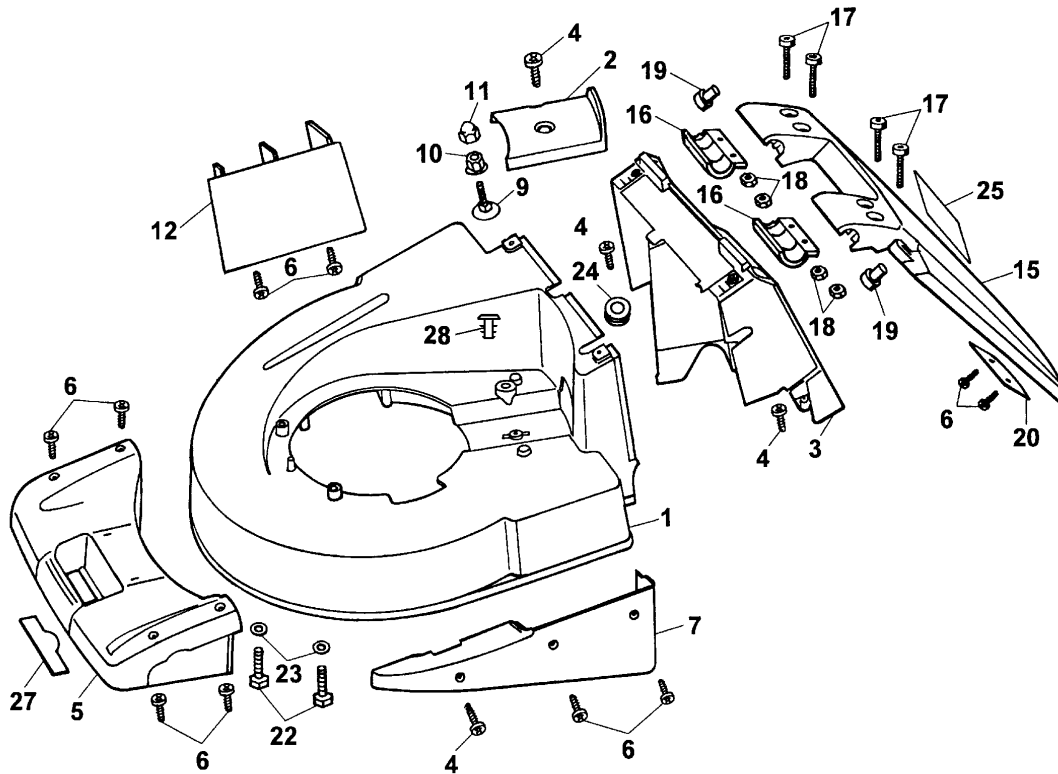
Concept 47 BA Serie B - D / Series B - D

Ausstattung Benzinmäher / Equipment Petrol-mowers

| | |
|--|--|
| Typ / Kurzbez. / order code | Concept 47 BA |
| Ausführung für / version for | International |
| Geräte - Nr. / article number | 6450000 |
| Schnittbreite / cutting width | 47 cm |
| Chassismaterial / chassis | Aluminium |
| Gewicht / weight | 37 kg |
| Lautstärke / noise level | 96 dB (A) - 93 dB (A) |
| Ø Rad vorne / front wheel diameter | 17 cm |
| Ø Rad hinten / rear wheel diameter | 20 cm |
| Ausführung Räder / version wheels | Soft, Kugellager / soft, ball bearing |
| Höhenverstellung / height adjustment | zentral 6-fach / central, six-fold |
| Schnitthöhe / cutting height | 2,0 cm - 8,0 cm |
| Antrieb / power drive | ja, 2-Gang, 2-4 km/h / yes, 2 gear speed, 2-4 km/h |
| Motor - Hersteller / motor producer | Briggs & Stratton |
| Motor-Modell / motor-type | Quantum 50 XTE |
| Spezifikation / specification | 12F802 Type 1194 |
| Motor - Nr. WOLF / motor-number | 2069070 |
| Nennleistung / nominal capacity | 3,1 kW (4,2 PS) |
| Zündkerze / spark plug | Champion RJ 19 LM (Art.-Nr. / part no.: 2058305) |
| Griffgestänge / handlebar | Klappgriff, höhenverstellbar, Holmstart / folding handlebar, height adjustable, bar start |
| Fangkorb / collector box | 60 L, Füllstandsanzeige / grass box fill indicator Artikel-Nr. 6450072 / part no. 6450072 |
| <u>Drehmomente Chassis / torque settings, chassis fasteners:</u> | |
| Achsbefest. (Lagerschale vorne/hinten) / axle fastening (bearing shell front/rear) | 2-3 Nm |
| Radbefestigung / wheel fastening | 10 Nm |
| Stützhebel für Getriebe / support lever for gear | 4-5 Nm |
| Windkanaleinlage - Chassis / wind tunnel insert - chassis | 3,4 Nm |
| Stehbolzen - Motorkonsole / stud bolt - motor console | 18 Nm |
| Alukulisse - Gestellrohr / aluminium - frame | 3-4 Nm |
| Motor an Motorträger / motor to motor support | 18 Nm |
| Messer kpl. an Motorwelle / cutter bar to crankshaft | 38-42 Nm |
| Keilriemenabdeckung / v-belt cover | 5 Nm |

D Concept 47 BA, Serie B - D, Chassis

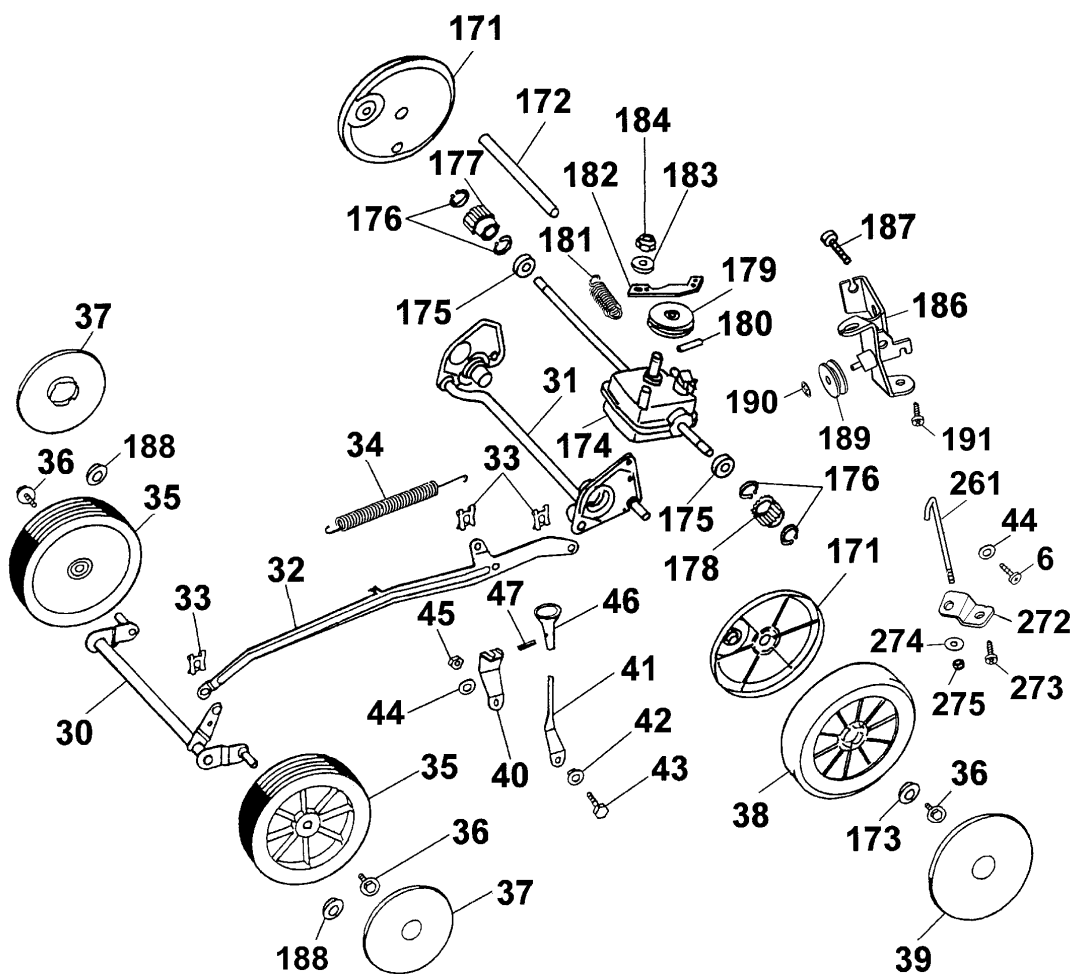
GB Concept 47 BA, Series B - D, Chassis



Concept 47 BA Chassis

| Bild-Nr. / Ref. No. | Best.-Nr. / Part No. | Bezeichnung | Description |
|------------------------|-------------------------|--|---|
| 1 | 6450 420 | Chassis | chassis |
| 2 | 6450 307 | Keilriemenabdeckung | v-belt cover |
| 3 | 6450 340 | Heckteil | deflector |
| 4 | 0012 607 | SF-Schraube M5x20 (4 St.) | screw M5x20 (4 pieces) |
| 5 | 6450 302 | Frontverkleidung | front panel |
| 6 | 0012 605 | SF-Schraube M5x12 (10 St.) | screw M5x12 (10 pieces) |
| 7 | 6450 304 | Seitenteil, links | cover, left |
| 9 | 0013 650 | Flachrundschraube M8x16 | screw M8x16 |
| 10 | 0016 385 | 6kt.-Mutter M8 | hex. nut M8 |
| 11 | 6340 126 | Verschlusskappe M8 | sleeve M8 |
| 12 | 6450 303 | Kanaleinlage | wind tunnel insert |
| 15 | 6450 911 | Heckklappe kpl. incl. Bild-Nr. 6,19,20,25 | rear flap compl. incl. ref. no. 6,19,20,25 |
| 16 | 6450 311 | Schelle (2 St.) | clamp (2 pieces) |
| 17 | 0012 825 | Torx-Schraube M5x40 (4 St.) | screw M5x40 (4 pieces) |
| 18 | 0016 210 | 6kt.-Mutter M5 (4 St.) | hex. nut M5 (4 pieces) |
| 19 | 6450 316 | Gummipuffer (2 St.) | rubber buffer (2 pieces) |
| 20 | 6450 149 | Gegengewicht | balance weight |
| 22 | 0010 399 | 6kt.-Schraube M8x30 (2 St.) | hex. screw M8x30 (2 p.) |
| 23 | 0017 123 | Scheibe A 8,4 (2 St.) | washer A8,4 (2 pieces) |
| 24 | 6450 314 | Gummitlle | gum |
| 25 | 0051 246 | Sicherheitsetikett | safety label |
| 27 | 0051 115 | WOLF-Garten Marke | "WOLF-Garten" brand |
| 28 | 4332 307 | Lamellen-Stopfen | lamellar plug |

- Ⓓ Concept 47 BA, Serie B - D, Achse, Räder, Höhenverstellung
- ⒼⒷ Concept 47 BA, Series B - D, Axle, Wheels, Height-adjustment



Concept 47 BA Achse, RÄder, Hohenverstellung
Concept 47 BA Axle, Wheels, Height-adjustment

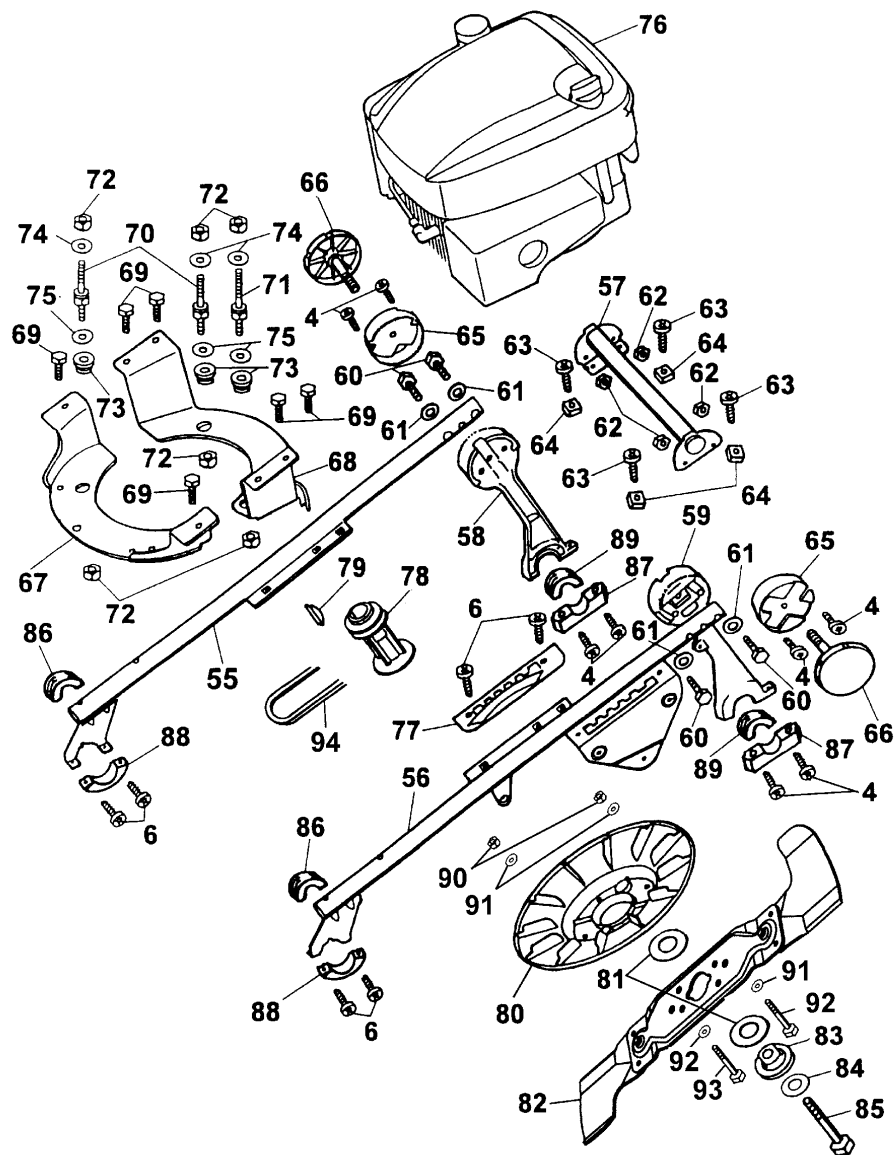
| Bild-Nr. / Ref. No. | Best.-Nr. / Part No. | Bezeichnung | Description |
|--------------------------------|---------------------------------|------------------------------------|---|
| 6 | 0012 605 | SF-Schraube M5x12 | screw M5x12 |
| 30 | 6450 016 | Achse, vorne | front axle |
| 31 | 6450 038 | Antriebsachse | driving axle |
| 32 | 6450 020 | Verbindungsstange | connecting rod |
| 33 | 0020 983 | SL-Sicherung (3 St.) | circlip (3 pieces) |
| 34 | 6450 139 | Zugfeder | tension spring |
| 35 | 6440 050 | Rad Ø 170 mm (2 St.) | wheel, 170mm dia. (2 p.) |
| 36 | 0010 893 | SF-Schraube M6x12 (4 St.) | screw M6x12 (4 pieces) |
| 37 | 6450 520 | Deckel Ø 170 mm (2 St.) | hub cap 170 mm dia. (2 p.) |
| 38 | 4605 050 | Antriebsrad Ø 200 mm (2 Stuck) | driving wheel 200 mm dia. (2 pieces) |
| 39 | 6450 530 | Deckel Ø 200 mm (2 St.) | hub cap 200 mm dia. (2 p.) |
| 40 | 6450 134 | Verstellhebel | adjusting lever |
| 41 | 6450 132 | Federhebel | lever |
| 42 | 6450 146 | Lagerbuchse | bush |
| 43 | 0010 377 | 6kt.-Schraube M6x20 | hex. screw M6x20 |
| 44 | 0017 289 | Scheibe A6 (2 St.) | washer A6 (2 pieces) |
| 45 | 0016 311 | 6kt.-Mutter (2 St.) | hex. nut M 6 (2 pieces) |
| 46 | 6450 313 | Hohenverstellknopf | height adjusting knob |
| 47 | 0018 813 | Spannstift 3x20 | dowel pin 3x20 |
| 171 | 4955 327 | Radkappe (2 St.) | protecting wheel cap (2 p.) |
| 172 | 4605 328 | Schutzrohr | protecting pipe |
| 173 | 6340 516 | Lager (2 Stuck) | bearing (4 pieces) |
| 174 | 1098 060 | Getriebe | gear |
| 175 | 0023 147 | Kugellager (2 Stuck) | bearing (2 pieces) |
| 176 | 0020 010 | Ringsicherung (4 Stuck) | circlip (4 pieces) |
| 177 | 4725 025 | Kupplungsritzel, rechts | coupling pinion, right |
| 178 | 4725 026 | Kupplungsritzel, links | coupling pinion, left |

Concept 47 BA Achse, RÄder, Hhenverstellung
Concept 47 BA Axle, Wheels, Height-adjustment

| Bild-Nr. / Ref. No. | Best.-Nr. / Part No. | Bezeichnung | Description |
|--------------------------------|---------------------------------|--------------------------------------|--|
| 179 | 1098 201 | Keilriemenscheibe | v-belt pulley |
| 180 | 1098 202 | Spannstift | dowel pin |
| 181 | 1097 205 | Feder | spring |
| 182 | 1098 200 | Getriebehebel | gear lever |
| 183 | 0017 120 | Scheibe | washer |
| 184 | 0016 310 | 6kt.-Mutter M5 | hex. nut M5 |
| 186 | 6460 045 | Getriebehalter kpl. mit Seilrolle | gear holder compl. with rope pulley |
| 187 | 0012 610 | SF-Schraube M6x30 | screw M6x30 |
| 188 | 4916 516 | Lager (2 Stck) | bearing (2 pieces) |
| 189 | 6460 104 | Seilrolle | rope pulley |
| 190 | 0020 695 | Wellensicherung | circlip |
| 191 | 0012 615 | SF-Schraube M6x40 | screw M6x40 |
| 261 | 4015 100 | Zuganker | tension rod |
| 272 | 6460 100 | Zugankerblech | sheet metal (tension rod) |
| 273 | 0012 631 | PT-Schraube K50x25 | screw K50x25 |
| 274 | 0017 121 | Scheibe A6,4 | washer A6,4 |
| 275 | 0016 311 | 6kt.-Mutter M6 | hex. nut M6 |

D Concept 47 BA, Serie B - D, Motor, Gestell, Messer

GB Concept 47 BA, Series B - D, Motor, Frame, Blade



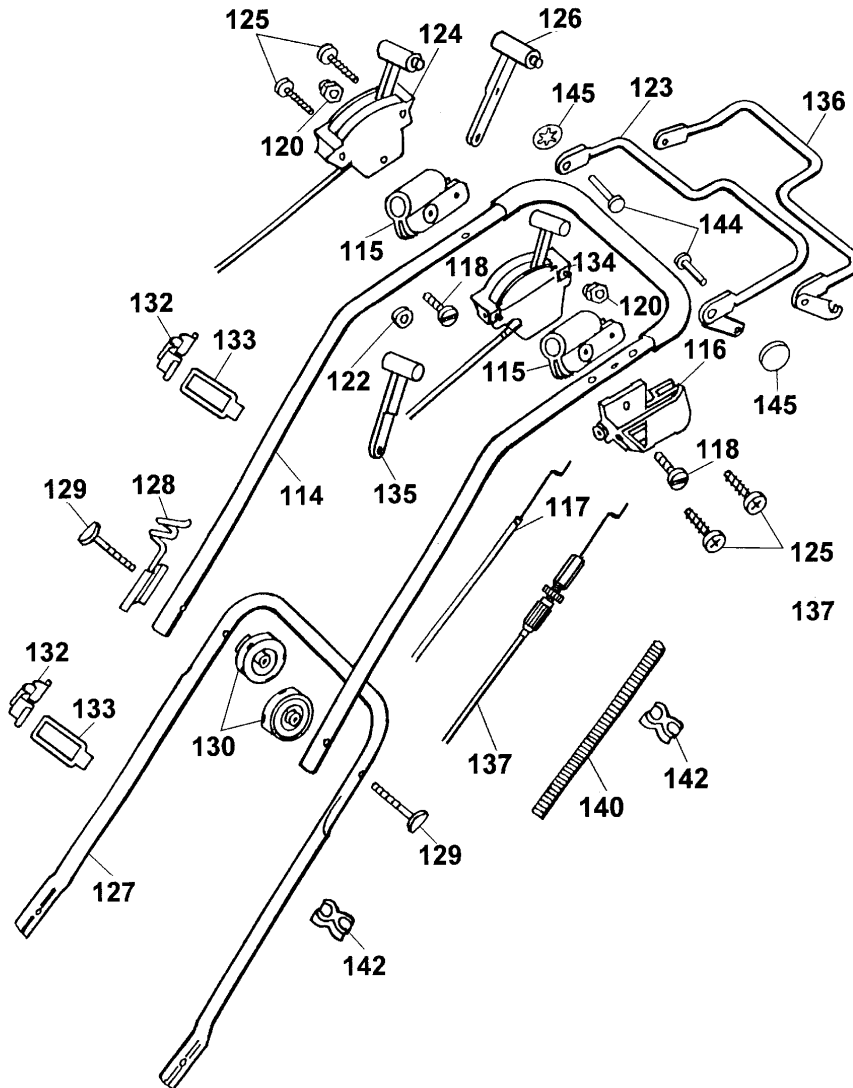
Concept 47 BA Motor, Gestell, Messer
Concept 47 BA Motor, Frame, Blade

| Bild-Nr. / Ref. No. | Best.-Nr. / Part No. | Bezeichnung | Description |
|------------------------|-------------------------|-----------------------------|-----------------------------|
| 4 | 0012 607 | SF-Schraube M5x20 (8 St.) | screw M5x20 (8 pieces) |
| 6 | 0012 605 | SF-Schraube M5x12 (6 St.) | screw M5x12 (6 pieces) |
| 55 | 6450 010 | Gestell, rechts | frame, right |
| 56 | 6450 012 | Gestell, links | frame, left |
| 57 | 6450 014 | Rohrtraverse | pipe |
| 58 | 6450 100 | Griffhalter, rechts | handlebar holder, right |
| 59 | 6450 102 | Griffhalter, links | handlebar holder, left |
| 60 | 0010 313 | 6kt.-Schraube M6x45 (4 St.) | hex. screw M6x45 (4 p.) |
| 61 | 6150 182 | Scheibe 6,4 (4 St.) | dished washer 6,4 (4 p.) |
| 62 | 0016 311 | 6kt.-Mutter M6 (4 St.) | hex. nut M6 (4 pieces) |
| 63 | 0012 831 | Torx-Schraube M6x15 (4 St.) | screw M6x15 (4 pieces) |
| 64 | 0016 405 | 4kt.-Mutter M6 (4 St.) | square nut M6 (4 pieces) |
| 65 | 6450 188 | Stellkranz (2 St.) | fixing case (2 pieces) |
| 66 | 4317 010 | Handrad (2 St.) | handwheel (2 pieces) |
| 67 | 6450 112 | MotortrÄger, vorne | motor support, front |
| 68 | 6450 114 | MotortrÄger, hinten | motor support, back |
| 69 | 0010 386 | 6kt.-Schraube M6x12 (6 St.) | hex. screw M6x12 (6 p.) |
| 70 | 6450 170 | Stehbolzen, kurz (2 St.) | stud bolt, short (2 pieces) |
| 71 | 6450 171 | Stehbolzen, lang | stud bolt, long |
| 72 | 0016 312 | 6kt.-Mutter M8 (6 St.) | hex. nut M 8 (6 pieces) |
| 73 | 6450 319 | Gummipuffer (3 St.) | rubber buffer (3 pieces) |
| 74 | 6450 138 | Buchse (3 St.) | bush (3 pieces) |
| 75 | 0017 291 | Scheibe A 8,4 (3 St.) | washer A 8,4 (3 pieces) |
| 76 | 2076 050 | Motor kpl. | motor compl. |
| 77 | 6450 136 | Kulisse | crank |
| 78 | 6450 141 | Kupplung | coupling |
| 79 | 0029 130 | Scheibenfeder | woodruff key |
| 80 | 6450 317 | Lüfterrad | fan |

Concept 47 BA Motor, Gestell, Messer
Concept 47 BA Motor, Frame, Blade

| Bild-Nr. / Ref. No. | Best.-Nr. / Part No. | Bezeichnung | Description |
|--------------------------------|---------------------------------|------------------------------|-----------------------------|
| 81 | 4005 403 | Kupplungsbelag (2 St.) | clutch facing (2 pieces) |
| 82 | 6450 094 | Messerbalken kpl. VI-W47 | cutter bar compl. VI-W47 |
| *** | 4350 040 | Ersatzklingen VI-W (1 Paar) | repl. blades VI-W (1 pair) |
| 83 | 4840 402 | Kupplungsscheibe | coupling disk |
| 84 | 0017 105 | Spannscheibe | spring washer |
| 85 | 0010 264 | 6kt.-Schraube 3/8" | hex. screw 3/8" |
| 86 | 6450 309 | Lagerschale (2 St.) | bearing shell (2 pieces) |
| 87 | 4961 313 | Stützschale, hinten (2 St.) | shell, rear (2 pieces) |
| 88 | 6450 305 | Stützschale, vorne (2 St.) | shell, front (2 pieces) |
| 89 | 6450 306 | Lagerschale, Antrieb (2 St.) | bearing shell, drive (2 p.) |
| 90 | 0016 311 | 6kt.-Mutter (2 Stück) | hex. nut M6 (4 pieces) |
| 91 | 0017 110 | Scheibe 6,4x25x2 (2 Stück) | washer 6,4x25x2 (2 piec.) |
| 92 | 0017 289 | Scheibe A 6,4x18 (2 Stück) | washer A 6,4x18 (2 piec.) |
| 93 | 0010 365 | 6kt.-Schraube (2 Stück) | hex. screw (2 pieces) |
| 94 | 0039 214 | Keilriemen | v-belt |

- Ⓓ Concept 47 BA, Serie B - D, Griff kpl.
- ⒼⒷ Concept 47 BA, Series B - D, Handlebar compl.

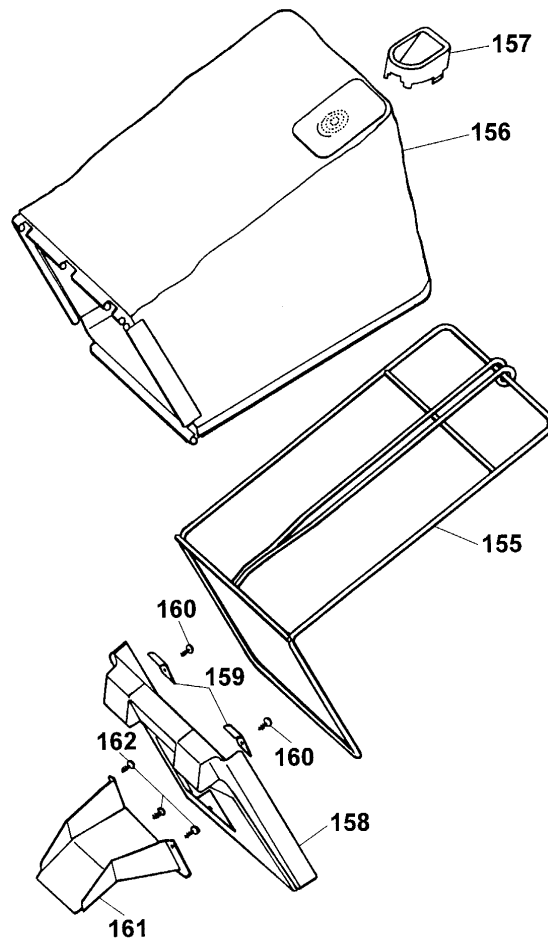


**Concept 47 BA Griff kpl.
Concept 47 BA Handlebar compl.**

| Bild-Nr. / Ref. No. | Best.-Nr. / Part No. | Bezeichnung | Description |
|--------------------------------|---------------------------------|--|--|
| 114 | 6450 923 | Griffoberteil m. Softschlauch | upper handlebar |
| 115 | 4720 105 | Schelle (2 St.) | clamp (2 pieces) |
| 116 | 4015 306 | Doppelstütze | double support |
| 117 | 6450 057 | Bowdenzug, Bremse | bowden wire, brake |
| 118 | 0012 211 | Zylinderschr. M6x25 (2 St.) | screw M6x25 (2 pieces) |
| 120 | 0016 641 | Hutmutter M6-5 (2 St.) | nut M6-5 (2 pieces) |
| 122 | 4240 205 | Distanzscheibe | washer |
| 123 | 6450 066 | Bremshebel | brake lever |
| 124 | 6450 055 | Schaltgehäuse mit Bowdenzug, Gas | case with bowden wire, gas |
| 125 | 0012 886 | Schraube KA60x30 (2 St.) | screw KA 60x30 (2 piec.) |
| 126 | 4722 040 | Verstellhebel | adjusting lever |
| 127 | 4317 122 | Griffunterteil | lower handlebar |
| 128 | 6340 014 | Seilführung | routing |
| 129 | 4901 101 | Verbindungsschr. M8x55 (2 Stück) | binding screw M8x55 (2 pieces) |
| 130 | 4936 022 | Handrad (2 St.) | handwheel (2 pieces) |
| 132 | 6340 312 | Klammer (2 St.) | clip (2 pieces) |
| 133 | 6340 314 | Schlaufe (2 St.) | strap (2 pieces) |
| 134 | 6450 060 | Schaltgehäuse mit Bowdenzug, 2-Gang | case with bowden wire, 2 gear speed |
| 135 | 4011 040 | Verstellhebel | adjusting lever |
| 136 | 4015 035 | Kupplungshebel | coupling lever |
| 137 | 6450 056 | Bowdenzug, Antrieb | bowden wire, drive |
| 140 | 6450 318 | Wellschlauch | protecting hose |
| 142 | 6660 301 | Klemme (2 Stück) | clamp (2 pieces) |
| 144 | 0018 107 | Bolzen (2 Stück) | bolt (2 pieces) |
| 145 | 3585 503 | Hutclips (2 Stück) | retainer (2 pieces) |
| *** | 0054 244 | Gebrauchsanweisung | operator manual |

D Fangeinrichtung kpl. 6450 072

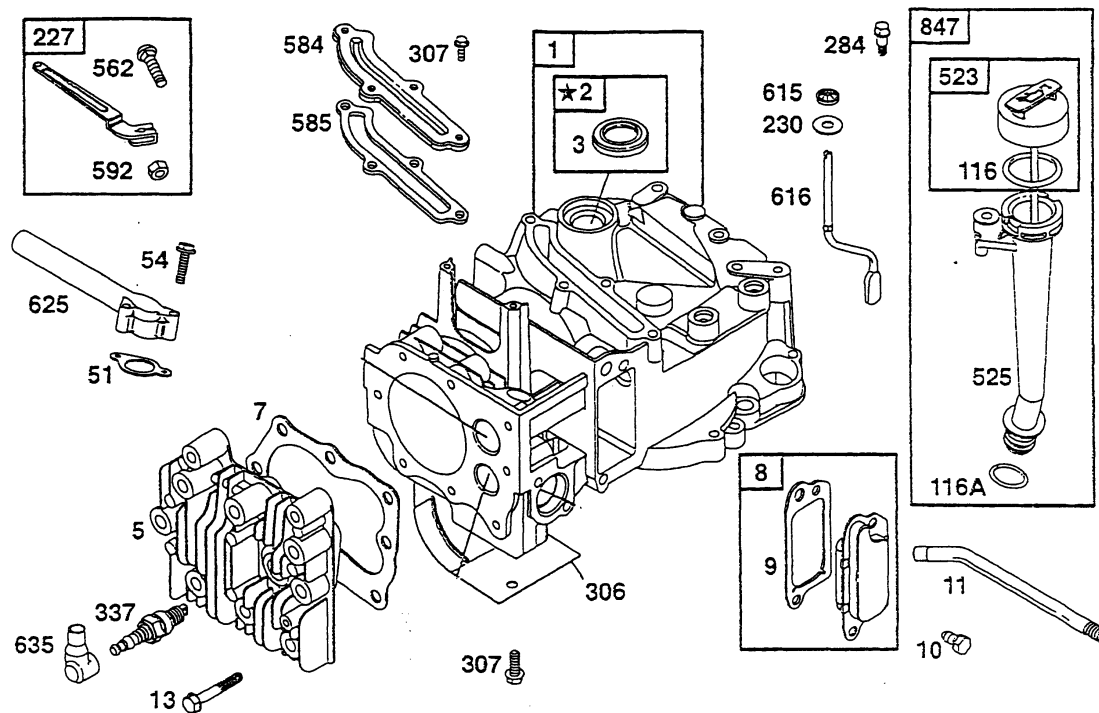
GB Grass collector compl. 6450 072



| Bild-Nr. / Ref. No. | Best.-Nr. / Part No. | Bezeichnung | Description |
|------------------------|-------------------------|-----------------------|------------------------|
| 155 | 6450 064 | Fangsackgestell | catcher frame |
| 156 | 6450 320 | Fangsacktuch | catcher cloth |
| 157 | 4880 061 | Fllstandsanzeige | fill indicator |
| 158 | 6450 308 | Mundstck | opening |
| 159 | 6450 145 | Scharnier (2x) | hinge |
| 160 | 0012 890 | Schraube 60x18 (2x) | screw 60x18 (2x) |
| 161 | 6450 322 | Schtte | chute |
| 162 | 0012 630 | Torx-Schr. 50x16 (3x) | screw 50x16 (3x) |
| *** | 6450 072 | Fangeinrichtung kpl. | grass collector compl. |

Quantum 50 XTE KurbelgehÄuse

Quantum 50 XTE cylinder assembly



Quantum 50 XTE KurbelgehÄuse

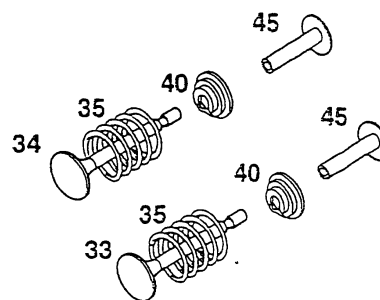
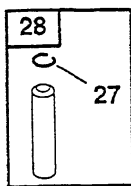
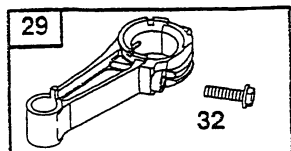
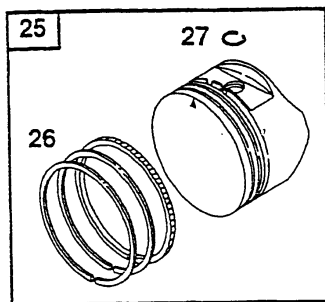
| Bild-Nr. | Best.-Nr. | Bezeichnung | Best.-Nr. B & S |
|----------|-----------|--------------------------------|--------------------|
| 1 | 2058 100 | Zylinder | 493260 |
| 2 | 1034 101 | Lagerbuchse | 293708 |
| 3 | 2057 352 | Simmerring | 299819 |
| 5 | 2069 150 | Zylinderkopf | 214626 |
| 7 | 2063 103 | Zylinderkopfdichtung | 272200 |
| 8 | 2059 300 | Dichtungsventil kpl. | 495786 |
| 9 | 2058 301 | Dichtung-(Ventilationsöffnung) | 272481 |
| 10 | 2057 137 | Schraube | 94955 |
| 11 | 2063 310 | Entlüftungsrohr | 231685 |
| 13 | 2063 108 | Schraube | 94547 |
| 51 | 2063 207 | Eingangsdichtung | 272199 |
| 54 | 2063 208 | Schraube | 94526 |
| 116 | 2063 211 | Ring | 280393 |
| 116A | 2063 216 | Ring | 280966 |
| 227 | 2063 054 | Hebel (Fliehkraftregler) | 492349 |
| 230 | 2063 116 | Scheibe | 67072 |
| 284 | 2063 316 | Schraube | 94511 |
| 306 | 2063 119 | Zylinderschutzschild | 224324 |
| 307 | 2063 120 | Schraube | 94515 |
| 337 | 2058 305 | Zündkerze | 802592 |
| 523 | 2059 206 | Ölmeßstab | 495264 |
| 525 | 2063 212 | Öleinfüllrohr | 495265 |
| 562 | 2069 139 | Schraube | 94852 |
| 584 | 2063 122 | Entlüfterdeckel | 224328 |
| 585 | 2063 209 | Dichtung | 272238 |
| 592 | 2063 123 | Mutter | 231082 |
| 615 | 2063 125 | Halter | 94474 |
| 616 | 2057 163 | Drehhebel (Kurbelantrieb) | 263175 |
| 625 | 2069 168 | Verteilereinlaß | 497465 |
| 635 | 1034 435 | Zündkerzenstecker | 66538 |
| 847 | 2059 058 | Öleinfüllrohr kpl. | 495263 |

english: see next page

Quantum 50 XTE Cylinder assembly

| Ref. No. | Part No. | Description | Part No. B & S |
|----------|----------|---------------------------|-------------------|
| 1 | 2058 100 | cylinder assembly | 493260 |
| 2 | 1034 101 | kit - bushing/seal | 293708 |
| 3 | 2057 352 | seal - oil | 299819 |
| 5 | 2069 150 | head - cylinder | 214626 |
| 7 | 2063 103 | gasket - cylinder head | 272200 |
| 8 | 2059 300 | breather assembly | 495786 |
| 9 | 2058 301 | gasket - breather | 272481 |
| 10 | 2057 137 | screw | 94955 |
| 11 | 2063 310 | tube - breather | 231685 |
| 13 | 2063 108 | screw | 94547 |
| 51 | 2063 207 | gasket - intake | 272199 |
| 54 | 2063 208 | screw | 94526 |
| 116 | 2063 211 | seal - o ring | 280393 |
| 116A | 2063 216 | seal - o ring | 280966 |
| 227 | 2063 054 | lever - governor control | 492349 |
| 230 | 2063 116 | washer | 67072 |
| 284 | 2063 316 | screw | 94511 |
| 306 | 2063 119 | shield - cylinder | 224324 |
| 307 | 2063 120 | screw | 94515 |
| 337 | 2058 305 | spark plug | 802592 |
| 523 | 2059 206 | dipstick | 495264 |
| 525 | 2063 212 | tube - dipstick | 495265 |
| 562 | 2069 139 | screw | 94852 |
| 584 | 2063 122 | cover - breather passage | 224328 |
| 585 | 2063 209 | gasket - breather passage | 272238 |
| 592 | 2063 123 | nut | 231082 |
| 615 | 2063 125 | retainer - governor shaft | 94474 |
| 616 | 2057 163 | crank - governor | 263175 |
| 625 | 2069 168 | manifold - intake | 497465 |
| 635 | 1034 435 | boot - spark plug | 66538 |
| 847 | 2059 058 | dipstick / tube assembly | 495263 |

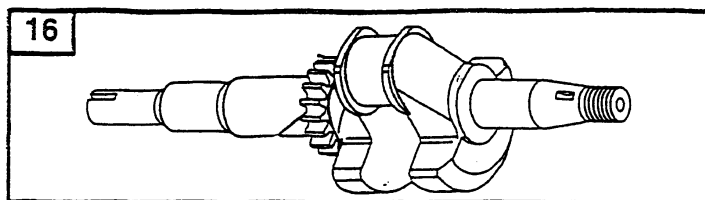
Quantum 50 XTE Kolben, Ventile
Quantum 50 XTE piston group, valve group



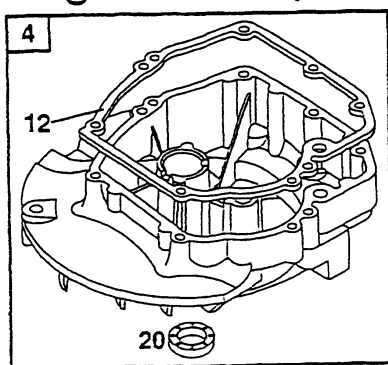
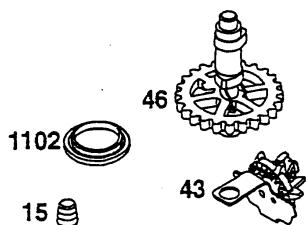
Quantum 50 XTE Kolben, Ventile
Quantum 50 XTE Piston group, Valve group

| Bild-Nr. / Ref. No. | Best.-Nr. / Part No. | Bezeichnung | Description | Part No. B & S |
|--------------------------------|---------------------------------|--------------------|--------------------|-------------------------------|
| 25 | 2069 032 | Kolben kpl. | piston assembly | 499429 |
| 26 | 2069 031 | Ringset | ring set | 499425 |
| 27 | 2057 164 | Sicherung | lock - piston pin | 263190 |
| 28 | 2057 195 | Bolzen | pin - piston | 499423 |
| 29 | 2057 196 | Pleuelstange | rod - connecting | 499424 |
| 32 | 2059 115 | Schraube | screw | 94699 |
| 33 | 2063 201 | Auslaßventil | valve - exhaust | 262651 |
| 34 | 2063 202 | Einlaßventil | valve - intake | 262652 |
| 35 | 2063 203 | Ventilfeder | spring - valve | 262224 |
| 40 | 1034 217 | Ventilhalter | retainer - valve | 93312 |
| 45 | 2063 204 | Ventilstößel | tappet-valve | 262204 |

Quantum 50 XTE 50 Kurbelwelle, Ölwanne
Quantum 50 XTE crankshaft, sump bases



⇒ 24

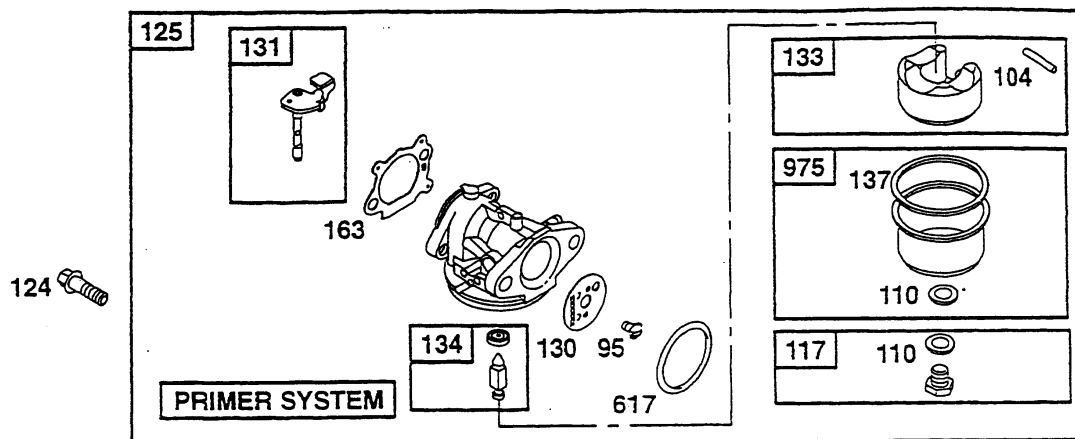


⇒ 22

Quantum 50 XTE Kurbelwelle, Ölwanne
Quantum 50 XTE Crankshaft, sump bases

| Bild-Nr. / Ref. No. | Best.-Nr. / Part No. | Bezeichnung | Description | Part No. B & S |
|--------------------------------|---------------------------------|--------------------|--------------------------|-------------------------------|
| 4 | 2063 111 | Ölwanne | sump - engine | 493279 |
| 12 | 2063 107 | Dichtung | gasket - crankcase | 272198 |
| 15 | 2069 143 | Ölablaßschraube | plug - oil drain | 94880 |
| 16 | 2069 173 | Kurbelwelle 80 mm | crankshaft 80 mm | 498565 |
| 16 | 2069 178 | Kurbelwelle 62 mm | crankshaft 62 mm | 498566 |
| 20 | 2063 112 | Simmerring | seal - oil | 399781 |
| 22 | 2063 113 | Schraube | screw | 94220 |
| 24 | 2057 130 | Schwungradkeil | feather key | 222698 |
| 43 | 2063 206 | Regler | slinger - governor / oil | 493737 |
| 46 | 2069 172 | Nockenwelle | camshaft | 498275 |
| 1102 | 2057 118 | Ring | pilot - guide | 232047 |

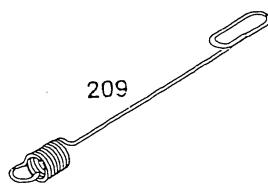
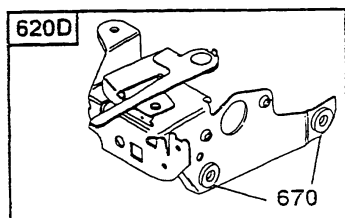
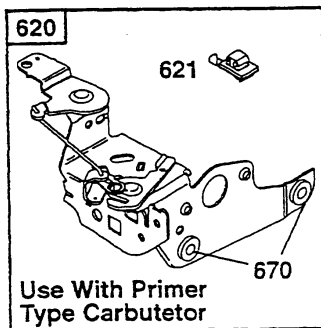
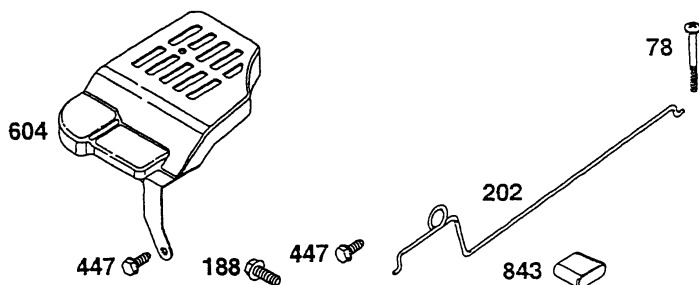
Quantum 50 XTE Vergaser (Primer System)
Quantum 50 XTE carburetor (primer system)



**Quantum 50 XTE Vergaser (Primer System)
Quantum 50 XTE Carburetor (Primer system)**

| Bild-Nr. / Ref. No. | Best.-Nr. / Part No. | Bezeichnung | Description | Part No. B & S |
|--------------------------------|---------------------------------|------------------------|------------------------|-------------------------------|
| 95 | 2057 128 | Schraube | screw (throttle valve) | 94098 |
| 104 | 2057 120 | Stift | pin - float hinge | 231371 |
| 117 | 2057 180 | Hauptdüse mit Dichtung | jet - main | 494870 |
| 124 | 2063 402 | Schraube | screw (carburetor) | 94525 |
| 125 | 2069 025 | Vergaser kpl. | carburetor compl. | 498170 |
| 130 | 2057 123 | Drosselklappe | valve - throttle | 224908 |
| 131 | 2063 403 | Drosselklappenwelle | shaft - throttle | 493267 |
| 133 | 2003 410 | Schwimmer | float - carburetor | 398187 |
| 134 | 2003 411 | Schwimmernadelventil | kit - needle/seal | 398188 |
| 163 | 2059 220 | Starterklappe | gasket - air cleaner | 272653 |
| 617 | 1034 428 | Dichtung | seal - o ring | 270344 |
| 975 | 2058 409 | Schwimmerkappe | bowl - float | 493640 |

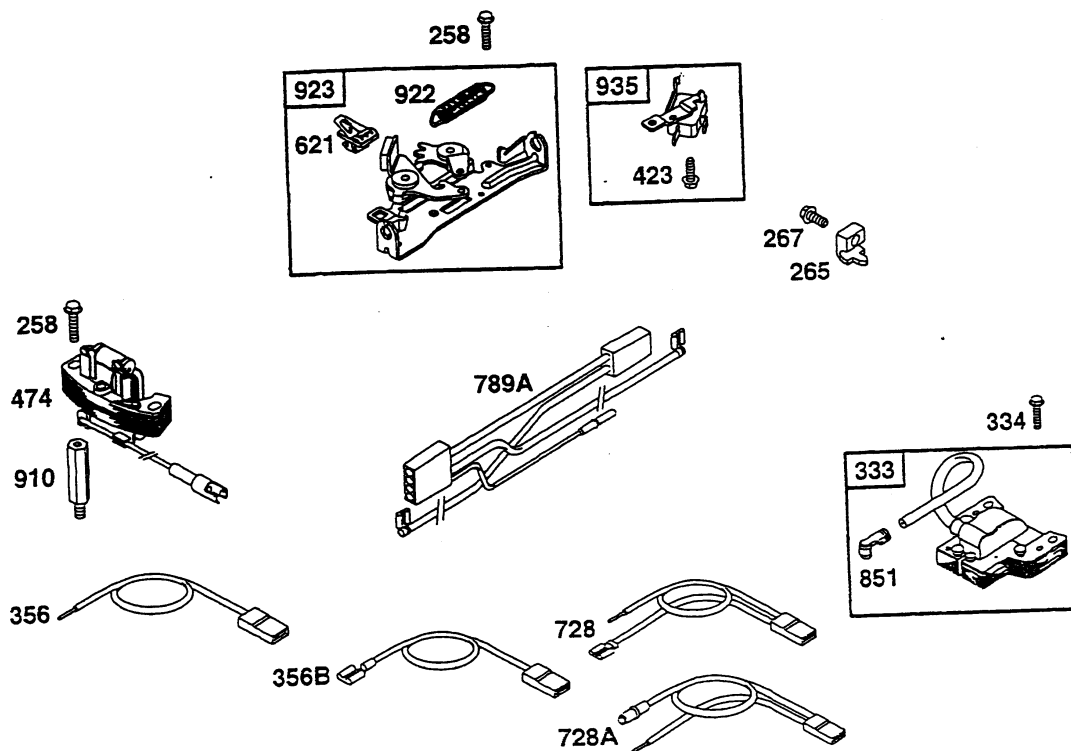
Quantum 50 XTE Regelung
Quantum 50 XTE control



**Quantum 50 XTE Regelung
Quantum 50 XTE Control**

| Bild-Nr. / Ref. No. | Best.-Nr. / Part No. | Bezeichnung | description | Part No. B & S |
|--------------------------------|---------------------------------|--------------------|-------------------------------|-------------------------------|
| 65 | 2057 108 | Schraube | screw | 94874 |
| 78 | 2069 144 | Schraube | screw | 95077 |
| 188 | 2058 405 | Schraube | screw | 94644 |
| 202 | 2063 311 | GestÄnge/Gelenk | link - mechanical governor | 262579 |
| 209 | 2057 147 | Reglerfeder | spring - governor | 263046 |
| 447 | 2058 406 | Schraube | screw | 93801 |
| 604 | 2058 400 | Abdeckung | cover - control | 224509 |
| 620 | 2069 020 | Vergasermechanik | bracket - control | 497203 |
| 620D | 2069 028 | Vergasermechanik | bracket - control | 498581 |
| 621 | 2063 129 | Ausschalter | switch - stop | 396847 |
| 670 | 2058 407 | DistanzstÄck | spacer | 493823 |

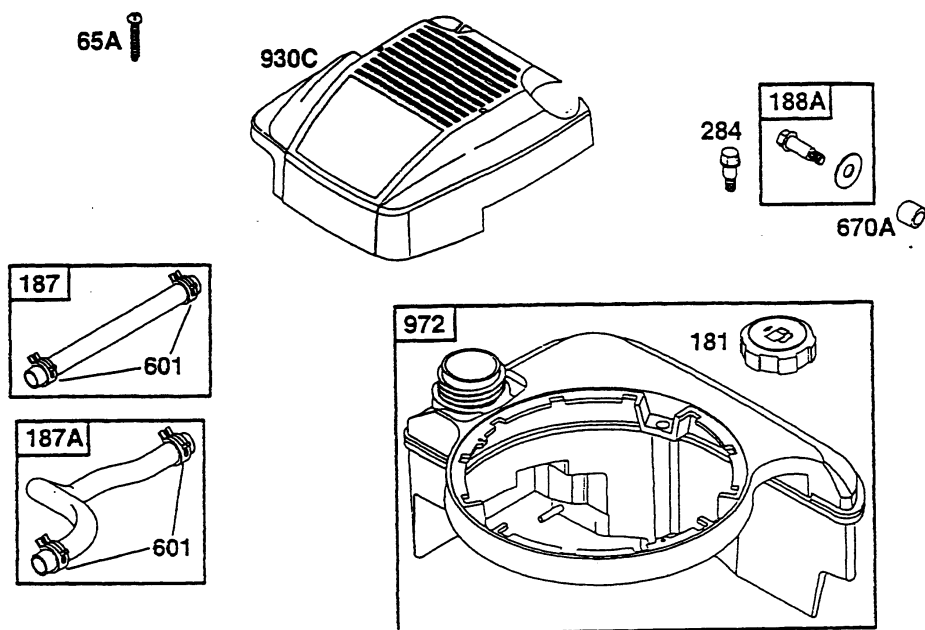
Quantum 50 XTE Zündanlage
Quantum 50 XTE electrical



Quantum 50 XTE Zندانlage
Quantum 50 XTE electrical

| Bild-Nr. / Ref. No. | Best.-Nr. / Part No. | Bezeichnung | Description | Part No. B & S |
|--------------------------------|---------------------------------|--------------------|-----------------------|-------------------------------|
| 258 | 2063 117 | Schraube | screw | 94512 |
| 265 | 2063 312 | Klammer | clamp | 213146 |
| 267 | 2059 304 | Schraube | screw | 94694 |
| 333 | 2063 056 | Zndspule | armature - magneto | 802574 |
| 334 | 2059 306 | Schraube | screw | 94731 |
| 356 | 2057 183 | Kabelbaum | wire - stop | 497833 |
| 356B | 2069 208 | Kabelbaum | wire - stop | 496037 |
| 423 | 2057 102 | Schraube | screw | 93758 |
| 474 | 2069 118 | Lichtspule | alternator | 492841 |
| 621 | 2063 129 | Ausschalter | switch - stop | 396847 |
| 728 | 2069 041 | Kabelbaum | cable form | 494714 |
| 728A | 2069 043 | Kabelbaum | cable form | 496381 |
| 789A | 2069 120 | Kabelbaum | cable form | 493380 |
| 851 | 2057 179 | Stecker | terminal - spark plug | 493880 |
| 910 | 2069 117 | Zwischenstck | stud (alternator) | 94510 |
| 922 | 2063 307 | Feder | spring - brake | 262640 |
| 923 | 2063 130 | Bremse | brake | 493442 |
| 935 | 2057 052 | Schalter | switch - interlock | 499421 |

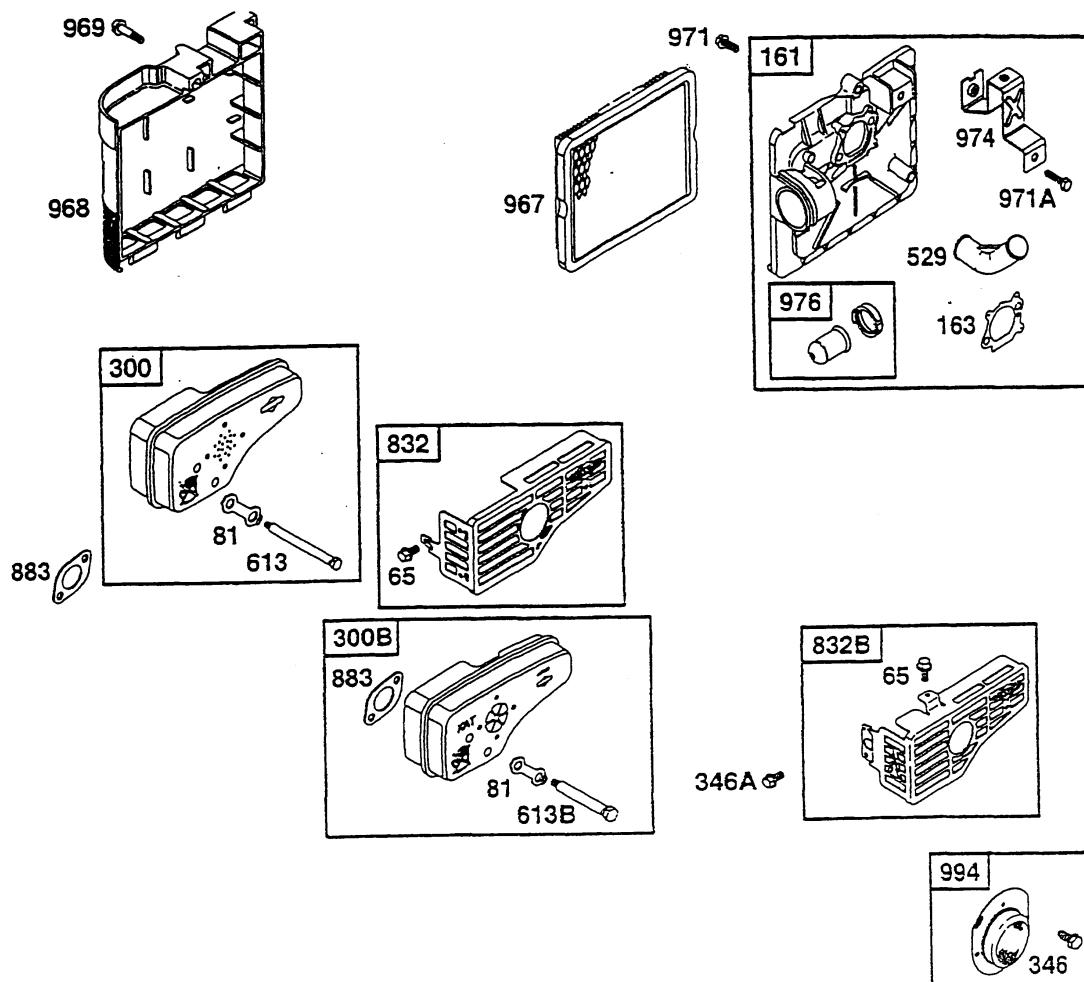
Quantum 50 XTE Haube, KraftstoffbehÄlter
Quantum 50 XTE covering cap, fuel tank



Quantum 50 XTE Haube, KraftstoffbehÄ¶ter
Quantum 50 XTE Covering cap, fuel tank

| Bild-Nr. / Ref. No. | Best.-Nr. / Part No. | Bezeichnung | Description | Part No. B & S |
|--------------------------------|---------------------------------|-----------------------|----------------------|-------------------------------|
| 65A | 2066 301 | Schraube | screw | 94696 |
| 181 | 2064 501 | Tankdeckel | cap - fuel tank | 397974 |
| 187 | 2063 065 | Benzinleitung | line - fuel | 492790 |
| 187 | 2057 371 | Benzinleitung | line - fuel | 296004 |
| 187A | 2069 309 | Benzinleitung | line - fuel (molded) | 492791 |
| 188A | 2057 143 | Schraube mit Scheibe | kit - screw/washer | 398540 |
| 284 | 2063 316 | Schraube | screw | 94511 |
| 601 | 1036 517 | Klemme | clamp - hose | 93053 |
| 601A | 2058 517 | Klemme | clamp - hose | 93807 |
| 670A | 2057 166 | Hülse | spacer - fuel tank | 280512 |
| 930C | 2069 304 | Abdeckhaube (schwarz) | covering cap (black) | 281440 |
| 972 | 2059 510 | Tank | fuel tank | 495224 |

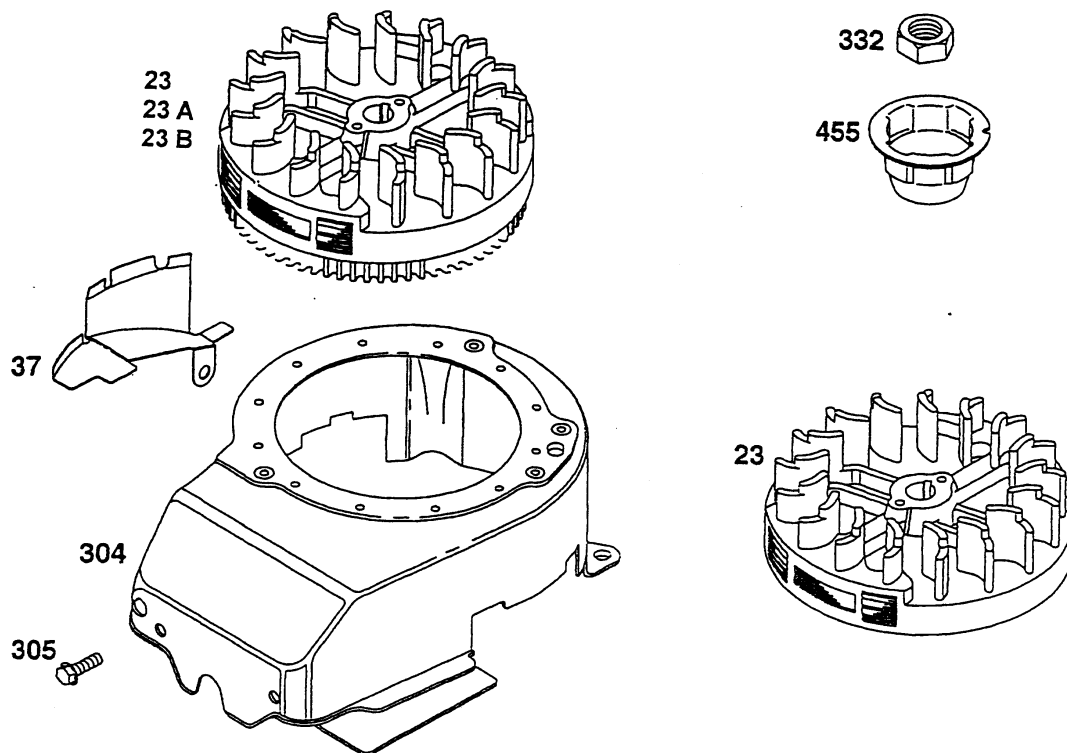
Quantum 50 XTE Luftfilter, SchalldÄmpfer
Quantum 50 XTE air cleaner, muffler



Quantum 50 XTE Luftfilter, SchalldÄmpfer
Quantum 50 XTE Air cleaner, muffler

| Bild-Nr. / Ref. No. | Best.-Nr. / Part No. | Bezeichnung | Description | Part No. B & S |
|--------------------------------|---------------------------------|--------------------------------------|------------------------------------|-------------------------------|
| 65 | 2057 108 | Schraube | screw | 94874 |
| 81 | 2063 501 | Sicherung | lock - muffler screw | 223664 |
| 161 | 2059 405 | LuftfiltergehÄuse | base - air cleaner | 496116 |
| 163 | 2059 220 | Dichtung | gasket - air cleaner | 272653 |
| 300 | 2069 019 | Auspuff ohne KAT | muffler without catalyst | 496106 |
| 300B | 2069 023 | Auspuff mit KAT | muffler with catalyst | 497681 |
| 346 | 2069 134 | Schraube | screw | 93705 |
| 346A | 2069 145 | Schraube | screw | 95130 |
| 529 | 2059 409 | Lüfterschlauch | grommet | 281299 |
| 613 | 2063 124 | Schraube | screw (muffler) | 94231 |
| 613B | 2069 140 | Schraube | screw (muffler) | 94858 |
| 676D | 2069 170 | Deflektor | deflector (muffler) | 497682 |
| 832 | 2069 176 | Berührungsschutz | guard - muffler | 499034 |
| 832B | 2069 171 | Berührungsschutz (Ausführung KAT) | guard - muffler (catalyst only) | 497683 |
| 883 | 2059 501 | Auspuffdichtung | gasket - exhaust | 272253 |
| 967 | 2063 408 | Luftfilter / Filterelement | air cleaner | 491588 |
| 968 | 2059 406 | Deckel | cover - air cleaner | 281340 |
| 969 | 2069 141 | Schraube | screw | 94872 |
| 971 | 2069 104 | Schraube | screw | 94878 |
| 971A | 2059 303 | Schraube | screw | 94749 |
| 974 | 2059 404 | Halter | bracket - air cleaner | 224815 |
| 976 | 2057 181 | Primer | primer | 496115 |

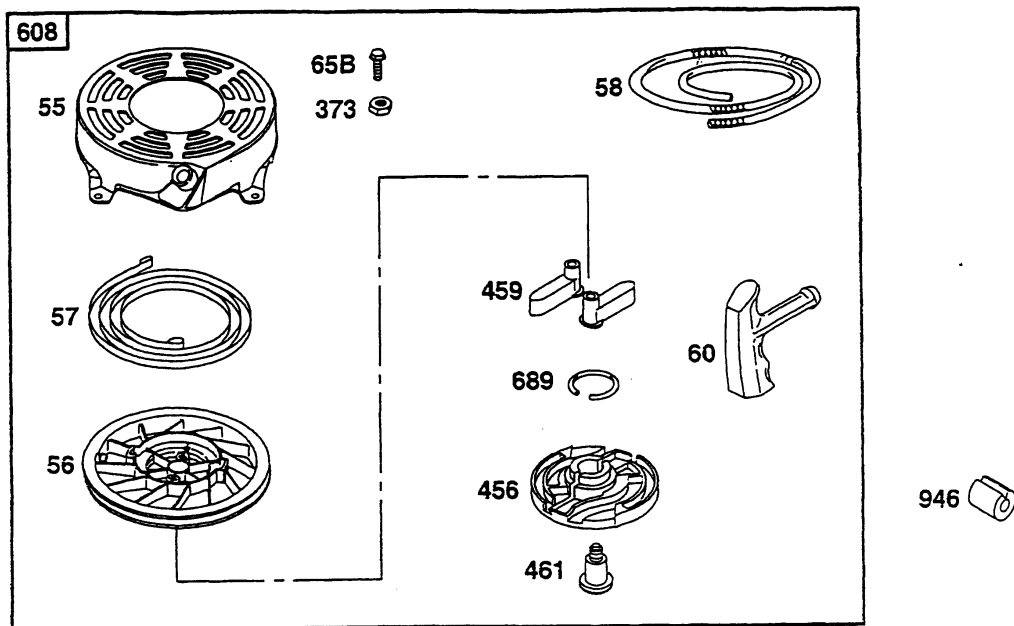
Quantum 50 XTE Polrad, Lfterhaube
Quantum 50 XTE flywheel, blower housing



Quantum 50 XTE Polrad, LÜfterhaube
Quantum 50 XTE Flywheel, blower housing

| Bild-Nr. / Ref. No. | Best.-Nr. / Part No. | Bezeichnung | Description | Part No. B & S |
|--------------------------------|---------------------------------|--------------------|--------------------|-------------------------------|
| 23B | 2069 179 | Schwungrad schw. | flywheel | 492893 |
| 37 | 2058 306 | Schutzblech | guard - flywheel | 224511 |
| 304 | 2063 315 | LÜftergehÄuse | housing - blower | 493294 |
| 305 | 2057 106 | Schraube | screw | 94744 |
| 332 | 2069 132 | Mutter | nut | 92284 |
| 363 | 2062 057 | Abzieher | flywheel puller | 19069 |
| 455 | 2057 306 | Starterschale | cup - flywheel | 225121 |

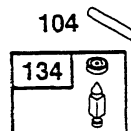
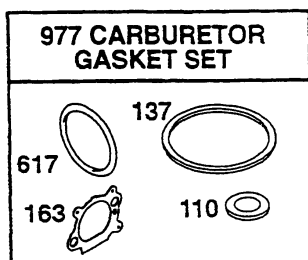
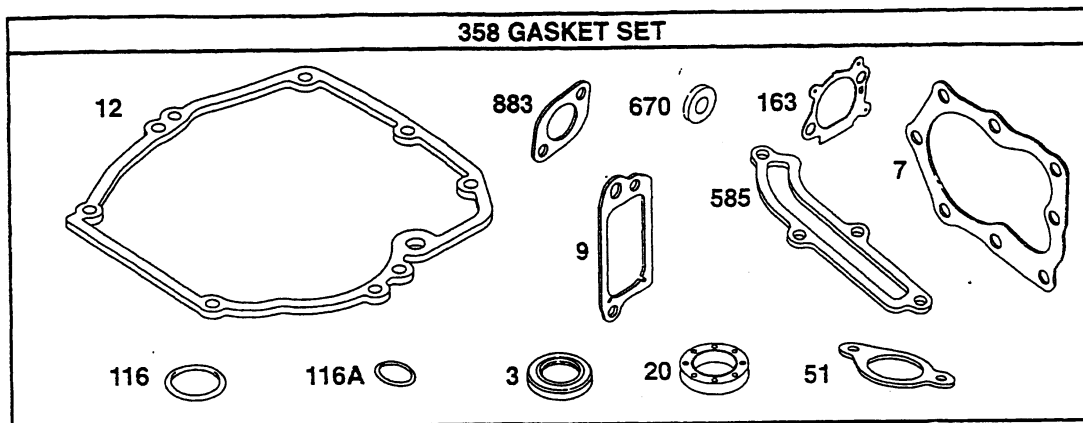
Quantum 50 XTE Starter
Quantum 50 XTE rewind - starter



Quantum 50 XTE Starter
Quantum 50 XTE Rewind - starter

| Bild-Nr. / Ref. No. | Best.-Nr. / Part No. | Bezeichnung | Description | Part No. B & S |
|--------------------------------|---------------------------------|--------------------|--------------------------|-------------------------------|
| 55 | 2069 121 | StartergehÄuse | housing - rewind starter | 497440 |
| 56 | 2069 122 | Starterseilscheibe | pulley | 281504 |
| 57 | 2069 123 | Starterfeder | spring | 263074 |
| 58 | 2063 604 | Starterseil | rope - starter | 280399 |
| 60 | 2069 300 | Startergriff | grip - starter rope | 281434 |
| 456 | 2069 301 | Federhalter | plate - pawl friction | 281503 |
| 459 | 2069 302 | Klinke | pawl - ratchet | 281505 |
| 461 | 2069 124 | Schraube | screw | 94943 |
| 608 | 2069 012 | Starter kpl. | starter - rewind compl. | 497680 |
| 689 | 2069 125 | Sprungfeder | spring - friction | 263073 |
| 946 | 2063 612 | Seilklemme | stop - rope | 223294 |

Quantum 50 XTE Dichtungssatz
Quantum 50 XTE gasket set



Quantum 50 XTE Dichtungssatz
Quantum 50 XTE Gasket set

| Bild-Nr. / Ref. No. | Best.-Nr. / Part No. | Bezeichnung | Description | Part No. B & S |
|--------------------------------|---------------------------------|----------------------------------|------------------------------------|-------------------------------|
| 3 | 2057 352 | Simmerring (oben) | seal - oil (magneto side) | 299819 |
| 7 | 2063 103 | Zylinderkopfdichtung | gasket - cylinder head | 272916 |
| 9 | 2058 301 | Dichtung (f. Entlfter) | gasket - breather | 272481 |
| 12 | 2063 107 | Dichtung (f. lwanne) | gasket - crankcase | 272198 |
| 20 | 2063 112 | Simmerring (unten) | seal - oil (PTO side) | 399781 |
| 51 | 2063 207 | Dichtung (f. Eingang) | gasket - intake | 272199 |
| 94 | 2058 403 | Nadelventil | kit - idle mixture | 493765 |
| 104 | 2057 120 | Stift | pin - float hinge | 231371 |
| 116 | 2063 211 | Dichtung (f. lrohr) | gasket | 280393 |
| 116A | 2063 216 | Dichtung (f. lrohr) | gasket | 280966 |
| 134 | 2003 411 | Schwimmernadelventil | kit - needle/seat | 398188 |
| 137 | 2069 316 | Dichtung (fr Schwimmerkappe) | gasket - float bowl | 693981 |
| 163 | 2059 220 | Dichtung (f. Luftfilter) | gasket - air cleaner | 272653 |
| 358 | 2069 021 | Dichtungssatz Motor | gasket set - engine | 497316 |
| 585 | 2063 209 | Dichtung (f. Gehuse) | gasket - breather passage | 272238 |
| 617 | 1034 428 | O - Ring (fr Vergaser) | seal - o ring (intake manifold) | 270344 |
| 670 | 2058 407 | Distanzstck | spacer | 493823 |
| 883 | 2059 501 | Auspuffdichtung | gasket - exhaust | 272253 |
| 977 | 2059 223 | Dichtungssatz Vergas. | gasket set - carburetor | 490937 |